

Alu-CabTM

MAKE IT BETTER

FITMENT INSTRUCTIONS

BYD 2025 (DC) CANOPY

C-D-BYD24-E and C2-D-BYD24

Preliminary Information

All rights reserved. No part of this document may be reproduced, translated, stored in a retrieval system. Or transmitted, in any form or by any means, electronic, mechanical, photocopying, recording or otherwise, without prior written permission of the owner.

Review all instruction information carefully before installation.

Any damages, direct or indirect to the installer and/or property due to incorrect installation of any parts are the responsibility of the installer.

Due to the various application and fitment options available, the responsibility lies with the user to ensure all mounting points are secure and tight before every trip. If unsure, consult with your Distributor regarding the operations of our products.

Users are advised to be mindful of the load they are carrying and drive in accordance with road conditions.



Please be sure to lay out all parts provided on a table or flat surface in order to check that all required parts are accounted for and prevent potential frustration at a later stage.

Installation Instructions

1

Canopy Fitment – Tools, Fasteners & Materials The tables below show the equipment, i.e. tools and fasteners required to start the canopy fitment of a BYD DC

1.1

Tools & Items Required

TOOL	
Ratchet	Flat Nose Pliers
Hand Drill	Phillips Screwdriver
10mm Socket	Panel Clip Removal Tool
13mm Socket	Flat Nose Pliers
13mm Ring Flat Spanner	T40 Torx Bit

1.2

Fasteners Supplied (included with canopy)

ITEM	QTY
M8x20mm Hex Bolt	16
M8x20mm OVERSIZED WASHER S/S - DIN 9021	12
M8x16mm FLAT WASHER S/S - DIN 125	12
M8 SPRING WASHER S/S	8
M8 NYLOC NUT S/S	12
NUT CAP-ø8mm	8
M8x35 HEX BOLT S/S	4

Please be sure to lay out all parts provided on a table or flat surface in order to check that all required parts are accounted for and prevent potential frustration at a later stage.

Installation Instructions

1

Canopy Fitment – Tools, Fasteners & Materials The tables below show the equipment, i.e. tools and fasteners required to start the canopy fitment for a BYD DC

1.3

Hardware Required

ITEM	QTY
CANOPY MOUNTING BRACKET	4
STANDARD SHIM 01	32
BYD SHARK 2024 SIDE MOUNTING BRACKET	4
C2 FS CLAMP BRACKET	2
C2 BYD24 GUIDE BRACKET	2
C2 FS MOUNTING TOP BRACKET	2

1.4

Consumables Required

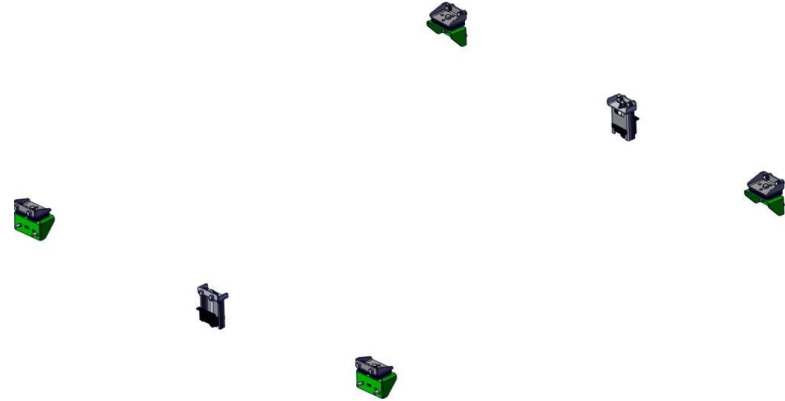
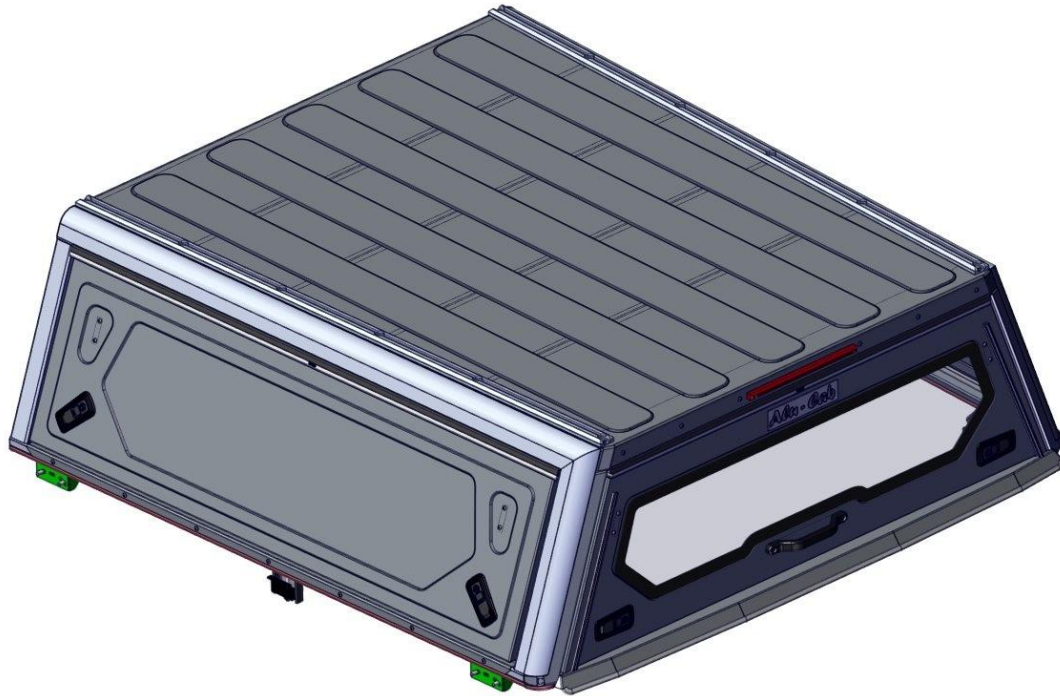
ITEM
Turpentine
Shop Rags
Black sealant, silicone or Sikaflex
Window Cleaner

Please be sure to lay out all parts provided on a table or flat surface in order to check that all required parts are accounted for and prevent potential frustration at a later stage.

Installation Instructions

2

Front and Rear Canopy Mounting Brackets



Installation Instructions

3

Front and Rear Canopy Mounting Brackets

Figures 1 and 2 below illustrate the canopy mounting bracket and parts list for the BYD DC Double Cab.



Fig 1. Front and Rear - Left and Right Mounting Brackets

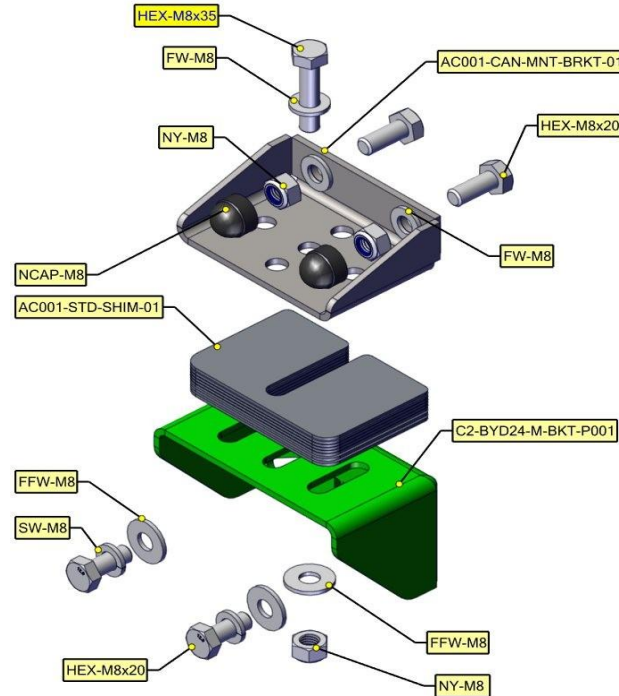


Fig 2

Installation Instructions

4

Front and Rear Canopy Clamp Mounting Brackets

Figures 3 and 4 below illustrate the canopy clamp mounting bracket and parts list for the BYD DC Double Cab.

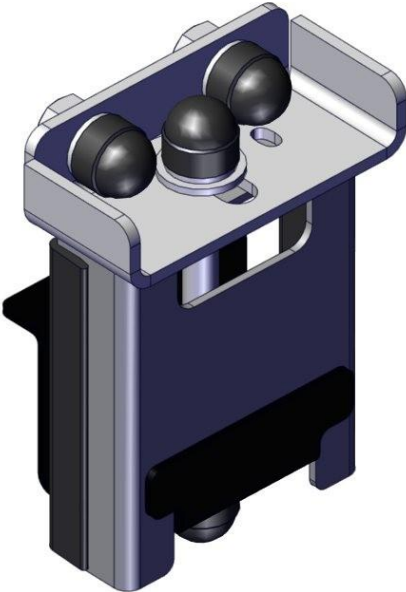


Fig 3. Left and Right Clamp Mounting Brackets

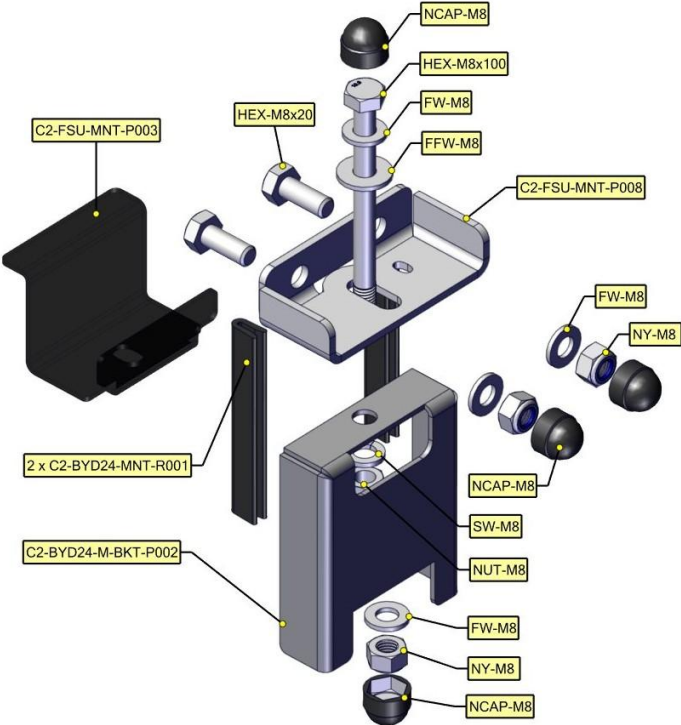


Fig 4

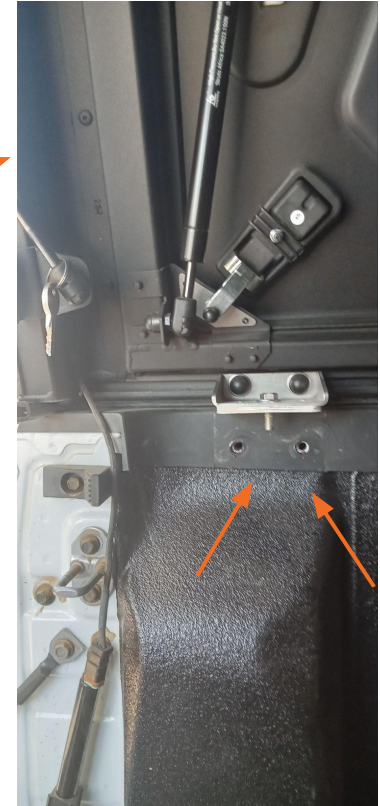
Installation Instructions

5

Remove the OEM **8 off** Fasteners as indicated below - Front & Rear / Left and Right



Before



After

Installation Instructions

6

Front and Rear Canopy Mounting Brackets

Figures 5 and 6 below illustrate the front and rear - Left and Right Mounting Brackets position on the load bin respectively.

NB: The mounting holes for the bottom brackets is existing holes on the vehicle's load-bin.

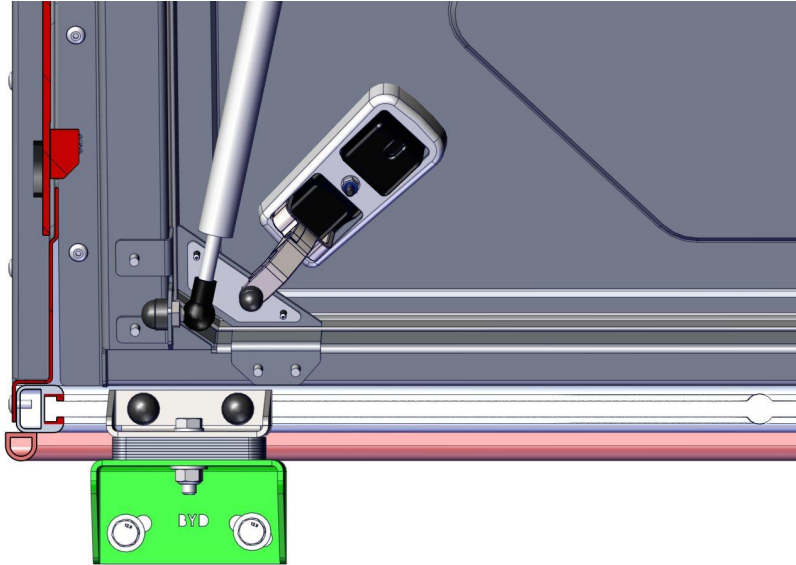


Fig 5 - Front

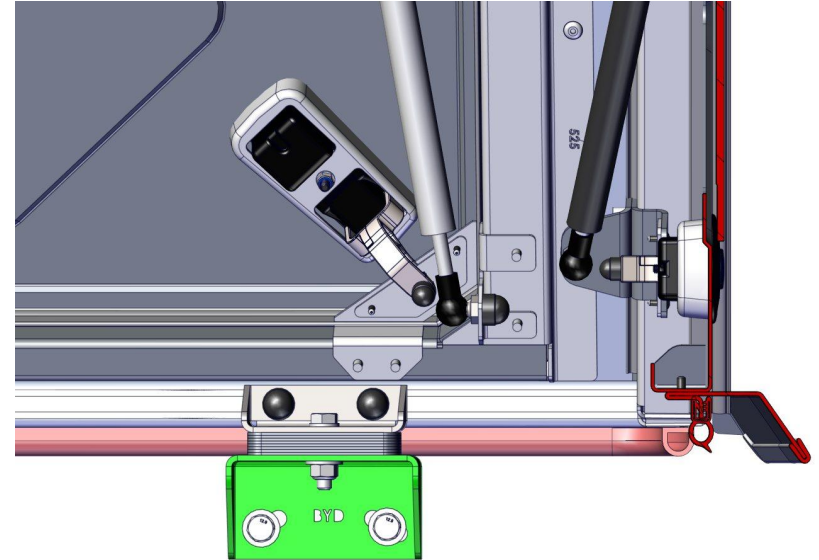


Fig 6 - Rear

Installation Instructions

7

Front and Rear Canopy Clamp Mounting Brackets

Figure 7 illustrate the Clamp Mounting Brackets position on the load bin respectively.

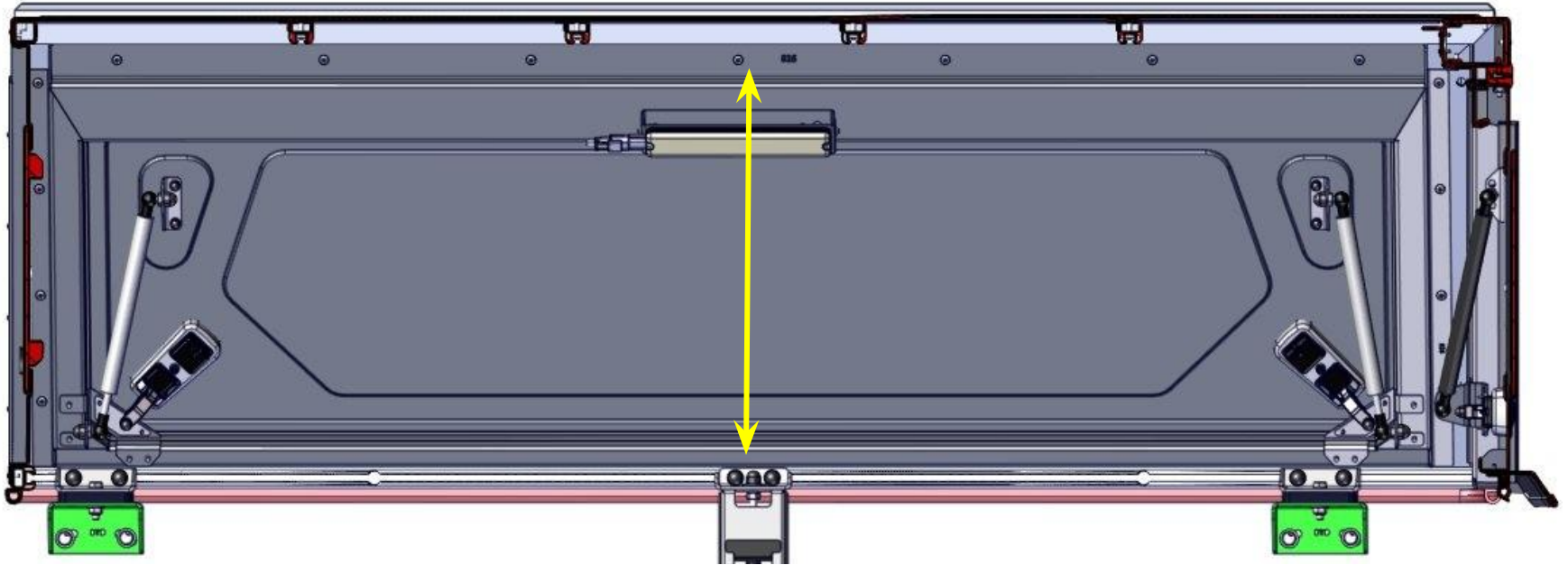


Fig 7 - Clamp Bracket is centralised with the Side Door

Disclaimer



All rights reserved. No part of this website may be reproduced, translated, stored in a retrieval system, or transmitted, in any form or by any means, electronic, mechanical, photocopying, recording or otherwise, without prior written permission of the owner.

Review all instructions information carefully before installation.

Any damages, direct or incidental to the installer and/or property due to incorrect installation of any parts are the responsibility of the installer. Due to the various applications and fitment options available, the responsibility lies with the user to ensure all mounting points are secure and tight before every trip.

If unsure, consult with your Distributor regarding the operations of our products.

Users are advised to be mindful of the load they are carrying and drive in accordance with road conditions.

WARNING

Always wear appropriate PPE (Personal protection equipment) when fitting our products. Although the mounting kit is designed to be DIY, if you have any doubts or concerns, contact an accredited fitment centre to carry out the work. Alu-Cab will not be liable for any injury to persons, and/or damage to products and/or vehicles.

While Alu-Cab Holdings takes reasonable measures to ensure that the contents of this Website are accurate and complete, Alu-Cab Holdings makes no representations or warranties, whether express or implied, as to the quality, timeliness, operation, integrity, availability or functionality of this Website or as to the accuracy, completeness or reliability of any information on this Website. Alu-Cab Holdings reserves the right to make changes, corrections and/or improvements to the information and to the products and programs described in such information, at any time without notice.

Alu-Cab Holdings will use reasonable endeavours to maintain the availability of the Website, except during scheduled maintenance periods, and reserves the right to discontinue providing the Website or the service or any part thereof with or without notice to you. Any person who accesses this Website or relies on this Website or on the information contained in this Website does so at his or her own risk.

Occasionally, at our discretion, we may include or offer third-party products or services on our website. These third-party sites have separate and independent privacy policies. We therefore have no responsibility or liability for the content and activities of these linked sites. Nonetheless, we seek to protect the integrity of our site and welcome any feedback about these sites.