



FITMENT INSTRUCTIONS

CAMPER REAR DOOR HINGE - UPGRADE KIT

Installation Instructions

Installation and fitment instructions includes the tools required, fasteners included in the kit, and the hardware included in the kit.

Please follow the instructions and check installation steps with the images in this document.

Alu-Cab recommends that all sealing work is allowed to cure for 24 hours, after which you may drive the vehicle on normal paved roads. Before driving off-road with your Alu-Cab product or operating your roof conversion, an additional cure period of 48 hours is required.

Failure to follow these instructions will void your warranty. Please ensure that you follow the sealant manufacturers curing time as per their technical data sheet.

These times may differ slightly from the times we have recommended.



Service Enquiries email
queries@alu-cab.com

Installation Instructions

CC REAR DOOR HINGES

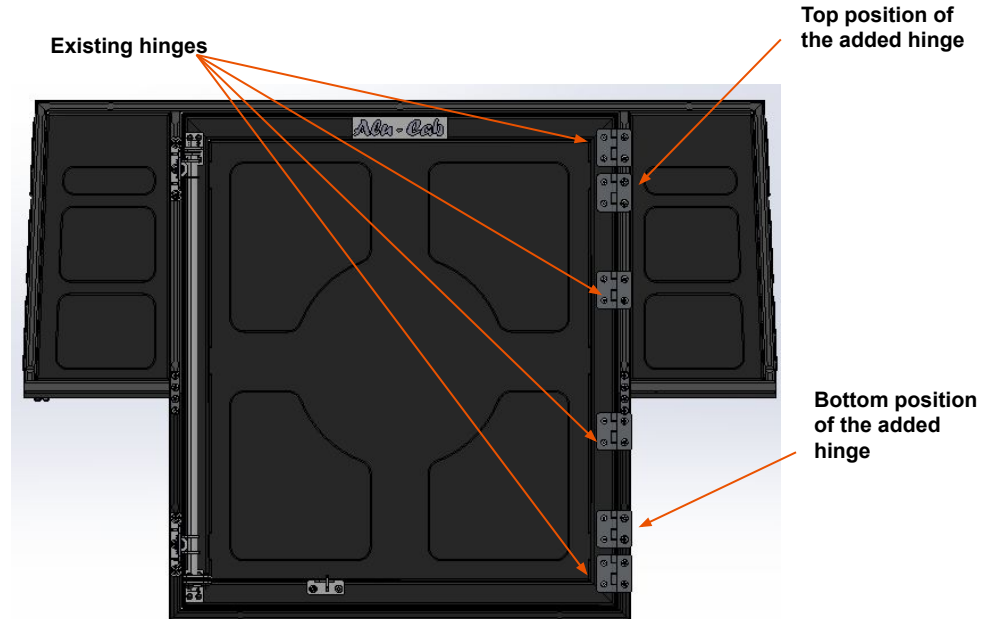
1

Items you will need for the installation of the rear door hinges

1.1

Tools & Items Required

Drill
10mm Ring Spanner/Socket
4mm Allen Key
5mm Allen Key
6mm Drill bit
3mm Drill bit
Sika
8mm Drill bit



Installation Instructions

CC REAR DOOR HINGES

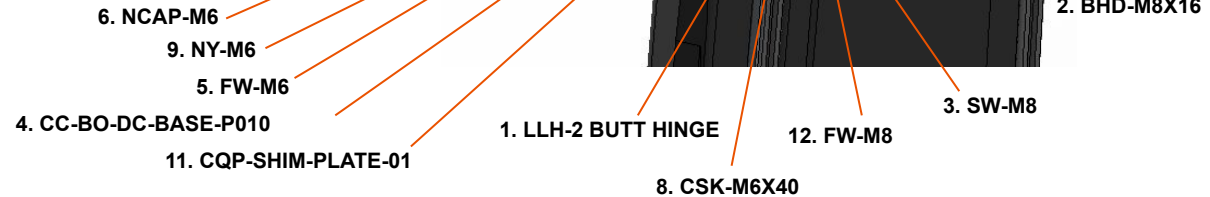
Fasteners and Brackets Supplied per set

QTY	PART NAME	DESCRIPTION
2	LLH-2 BUTT HINGE	BUTT HINGES -4 HOLE
4	BHD-M8x16	8x16 B/HD BLOT S/S
4	SW-M8	M8 SPRING WASHER S/S
2	CC-BO-DC-BASE-P010	CC REAR DOOR HINGE BACKING PLATE
4	FW-M6	6x14x2 FLAT WASHER S/S
4	NCAP-M6	NUT CAPS-06mm
4	NUT-M8	M8 HEX NUT S/S
4	CSK-M6x40	6x40 CSK BOLT S/S
4	NY-M5	M6 S/S NYLOC NUT
1	CQP-REAR- HINGES-TEMPLATE-01	SPACER SHIM
2	CQP-SHIM-PLATE-01	SPACER SHIM
4	FW-M8	8x17x1.6 FLAT WASHER S/S

1.2



10. CQP-REAR-HINGES-TEMPLATE-01

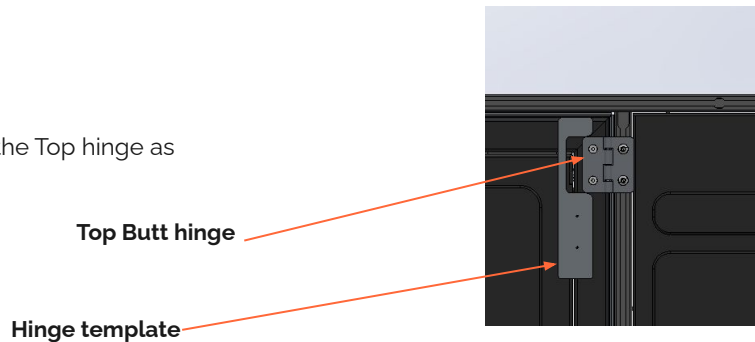


Installation Instructions

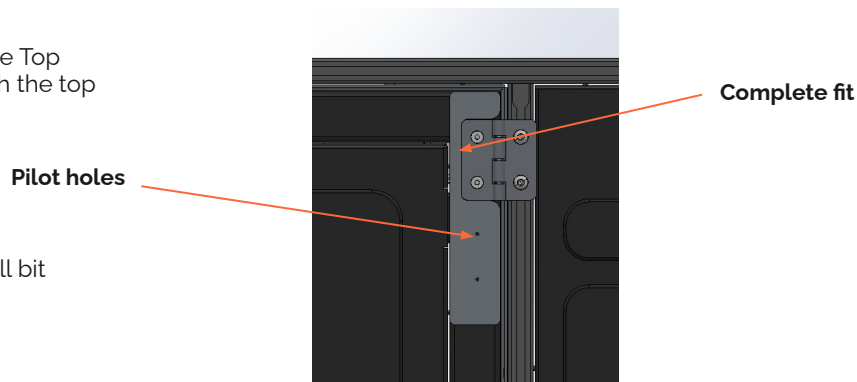
CC REAR DOOR HINGES

2 How to install the rear door Top hinge

2.1 STEP 1 : Slide the hinge template provided over the Top hinge as shown in the image on the right.



2.2 STEP 2 : Make sure the hinge template is straight up against the Top hinge. Check that the pilot holes of the template are in line with the top hinge holes on the door side.



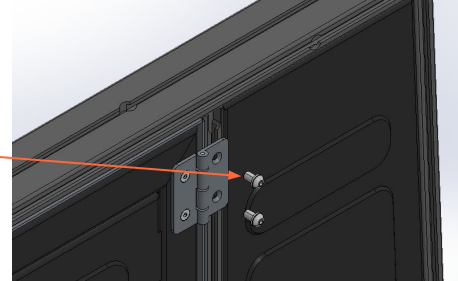
2.3 STEP 3 : Mark the pilot holes and drill the holes with a 3mm drill bit through the rear door tubing.

Installation Instructions

CC REAR DOOR HINGES

2.4 STEP 4 : Loosen and remove the Top hinge M8 Button head bolts with 5mm Allen key.

M8 Button Head bolt

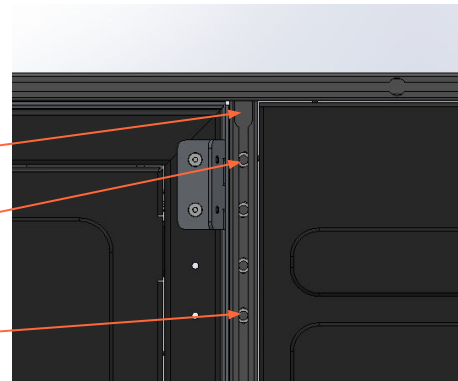


2.5 STEP 5 : Slide the existing M8 hex nuts down and insert two of the supplied M8 hex nuts into the nut slot from the top.

Nut Slot Access hole

M8 hex nut supplied

Existing M8 hex nut



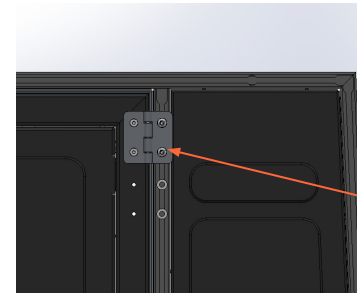
Installation Instructions

CC REAR DOOR HINGES

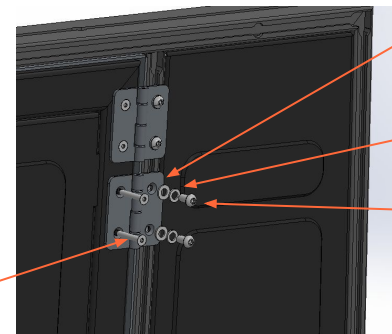
2.6 STEP 6 : Insert and fasten the Top hinge M8 Button head bolts with 5mm Allen key to secure the top hinge back into place.

2.7 STEP 7 : Use the 6mm drill bit to drill the 3mm pilot holes to a 6mm hole size.

2.8 STEP 8 : First drill the holes on the RHS of the New Butt Hinge to 8mm in order for the M8 bolt to fit. Then mount the new hinges to the Base with the M8 bolts, spring washer and flat washer. Check if the drilled holes line up correctly with the hole position.



M8 Button Head bolt



M8 Flat washer

M8 Spring washer

M8 Button head bolts

New Butt hinge

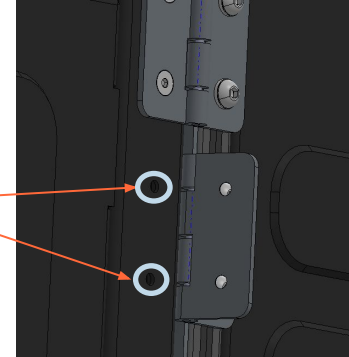
Installation Instructions

CC REAR DOOR HINGES

2.9

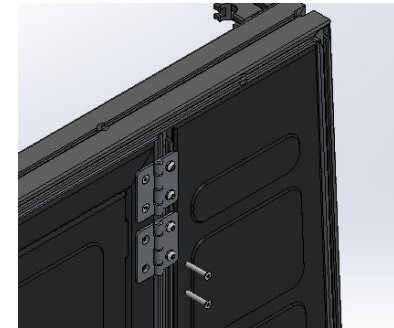
STEP 9 : Add some sika around the holes on the rear door. This will prevent water leakages.

Sika



2.10

STEP 10 : After the sika application, flip the hinge in position for the M6 countersunk screws to be placed through the holes.



Installation Instructions

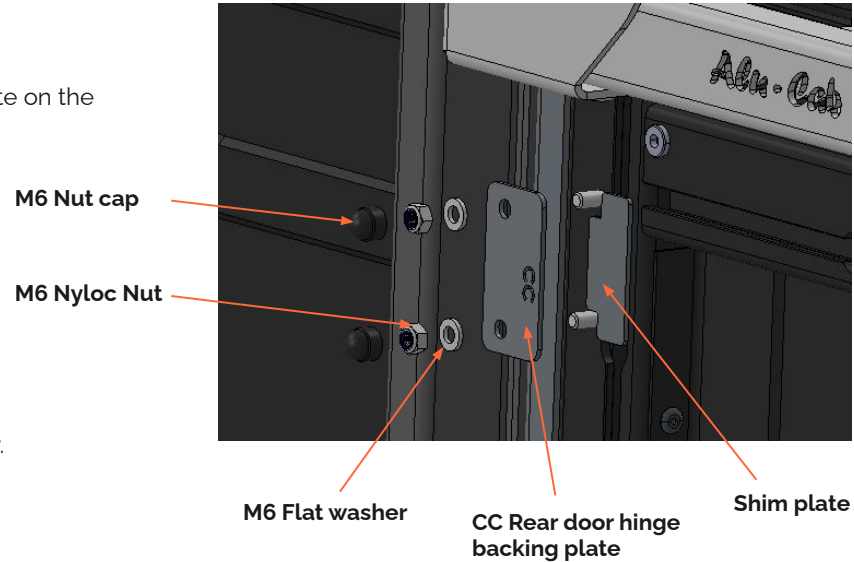
CC REAR DOOR HINGES

2.11 STEP 11 : Place the Shim plate and rear door hinge backing plate on the inside of the rear door and over the countersunk screws.

2.12 STEP 12 : Place the M6 flat washer over the countersunk screw.

2.13 STEP 13 : Use M6 Nyloc nuts to fasten the hinge in place.

2.14 STEP 14 : Use the M6 Nut cap to cover the M6 Nyloc nuts.



Installation Instructions

CC REAR DOOR HINGES

3

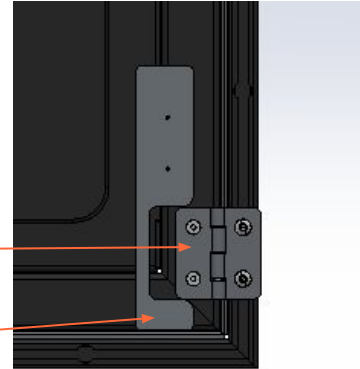
How to install the rear door Bottom hinge

3.1

STEP 1 : Slide the hinge template provided over the Bottom hinge as shown in the image on the right.

Bottom Butt hinge

Hinge template



3.2

STEP 2 : Make sure the hinge template is straight up against the Bottom hinge. Check that the pilot holes of the template are in line with the Bottom hinge holes on the door side.

3.3

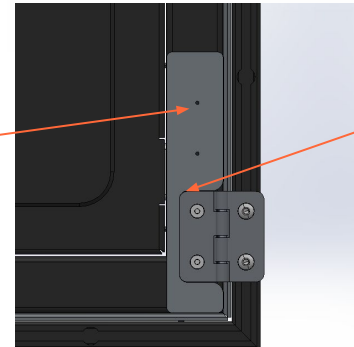
STEP 3 : Mark the pilot holes and drill the holes with a 3mm drill bit through the rear door tubing.

3.4

STEP 4 : Use the 6mm drill bit to drill the 3mm pilot holes to a 6mm hole size.

Pilot holes

Complete fit

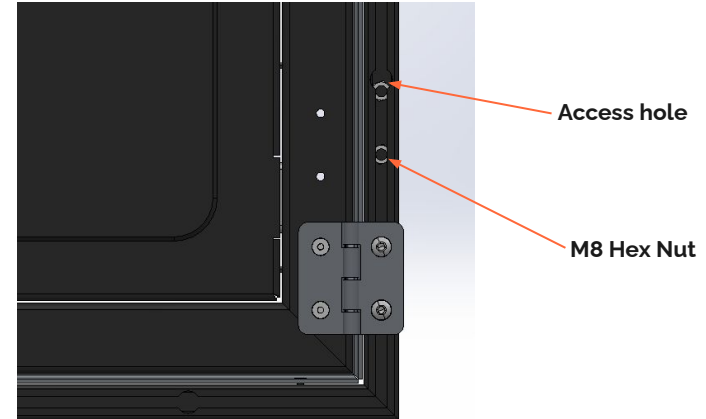


Installation Instructions

CC REAR DOOR HINGES

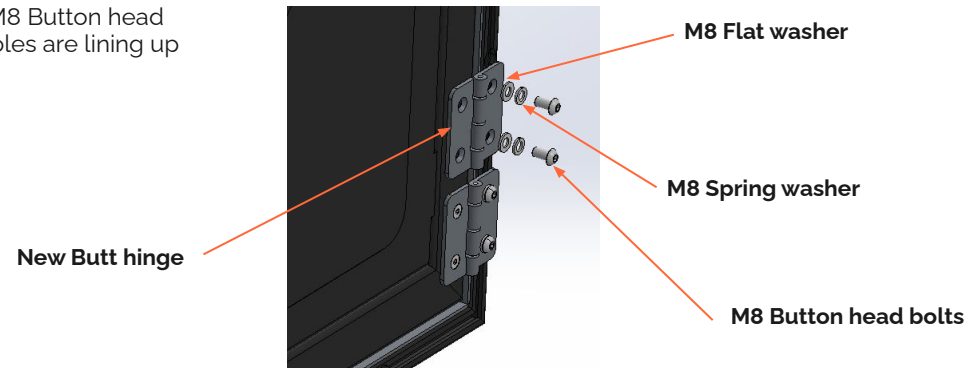
3.5

STEP 5 : Insert two M8 hex nuts through the access hole and slide the M8 hex nuts down into position.



3.6

STEP 6 : First mount the new hinges to the Base with the M8 Button head bolts, spring washer and flat washer. Check if the drilled holes are lining up correctly with the hinge hole position..

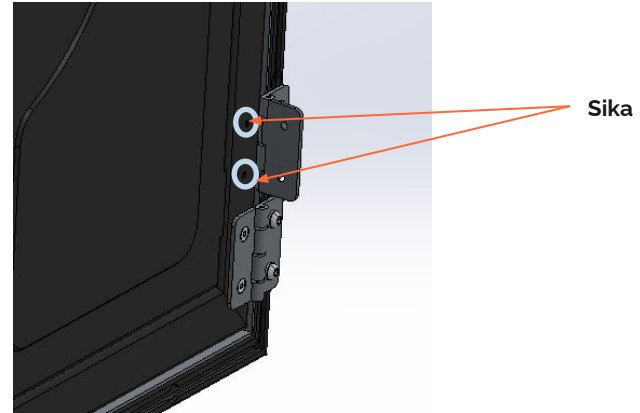


Installation Instructions

CC REAR DOOR HINGES

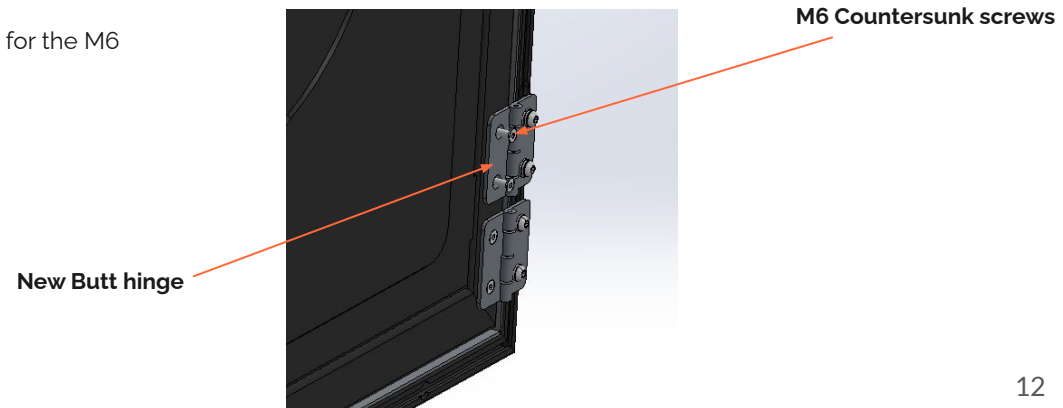
3.7

STEP 7 : Add some sika around the holes on the rear door. This will prevent water leakages.



3.8

STEP 8 : After the sika application, flip the hinge in position for the M6 countersunk screws to be placed through the holes.



Installation Instructions

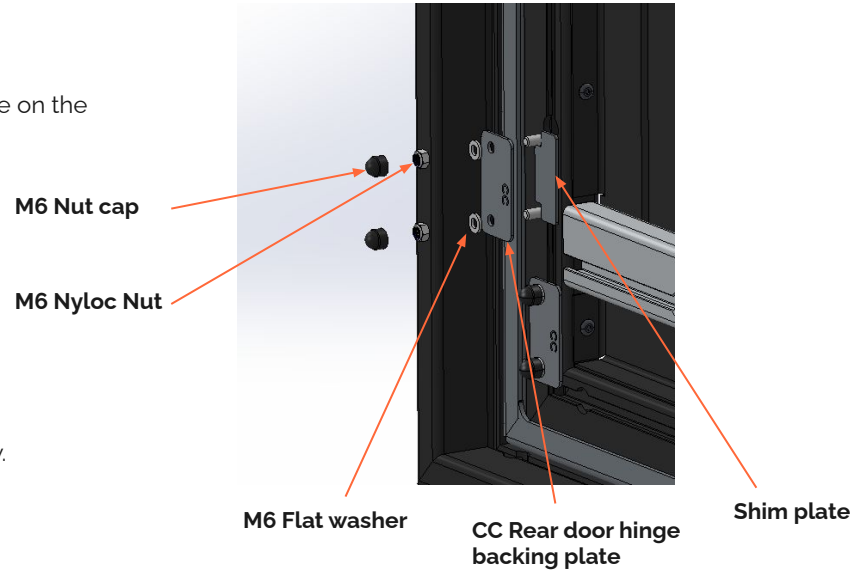
CC REAR DOOR HINGES

3.9 STEP 9 : Place the Shim plate and rear door hinge backing plate on the inside of the rear door and over the countersunk screws.

3.10 STEP 10 : Place the M6 flat washer over the countersunk screw.

3.11 STEP 11 : Use M6 Nyloc nuts to fasten the hinge in place.

3.12 STEP 12 : Use the M6 Nut cap to cover the M6 Nyloc nuts.



Installation Instructions

4. Complete and ready to use.

Your Canopy Camper is now secure and ready to use.



Disclaimer

All rights reserved. No part of this website may be reproduced, translated, stored in a retrieval system, or transmitted, in any form or by any means, electronic, mechanical, photocopying, recording or otherwise, without prior written permission of the owner.

Review all instructions information carefully before installation.

Any damages, direct or incidental to the installer and/or property due to incorrect installation of any parts are the responsibility of the installer. Due to the various applications and fitment options available, the responsibility lies with the user to ensure all mounting points are secure and tight before every trip.

If unsure, consult with your Distributor regarding the operations of our products.

Users are advised to be mindful of the load they are carrying and drive in accordance with road conditions.

WARNING

Always wear appropriate PPE (Personal protection equipment) when fitting our products. Although the mounting kit is designed to be DIY, if you have any doubts or concerns, contact an accredited fitment centre to carry out the work. Alu-Cab will not be liable for any injury to persons, and/or damage to products and/or vehicles.

While Alu-Cab Holdings takes reasonable measures to ensure that the contents of this Website are accurate and complete, Alu-Cab Holdings makes no representations or warranties, whether express or implied, as to the quality, timeliness, operation, integrity, availability or functionality of this Website or as to the accuracy, completeness or reliability of any information on this Website. Alu-Cab Holdings reserves the right to make changes, corrections and/or improvements to the information and to the products and programs described in such information, at any time without notice.

Alu-Cab Holdings will use reasonable endeavours to maintain the availability of the Website, except during scheduled maintenance periods, and reserves the right to discontinue providing the Website or the service or any part thereof with or without notice to you. Any person who accesses this Website or relies on this Website or on the information contained in this Website does so at his or her own risk.

Occasionally, at our discretion, we may include or offer third-party products or services on our website. These third-party sites have separate and independent privacy policies. We therefore have no responsibility or liability for the content and activities of these linked sites. Nonetheless, we seek to protect the integrity of our site and welcome any feedback about these sites.