

Alu-CabTM

MAKE IT BETTER

FITMENT INSTRUCTIONS

Universal Tow Bar Step

A-TBAR-STP

Installation Instructions

Installation and fitment instructions include the tools required, fasteners and hardware included in the kit.

Please follow the instructions and check installation steps with the images in this document.

Alu-Cab recommends that all sealing work is allowed to cure for 24 hours, after which you may drive the vehicle on normal paved roads. Before driving off-road with your Alu-Cab product or operating your roof conversion, an additional cure period of 48 hours is required.

Failure to follow these instructions will void your warranty. Please ensure that you follow the sealant manufacturers curing time as per their technical data sheet.

These times may differ slightly from the times we have recommended.



Service Enquiries email
queries@alu-cab.com

Installation Instructions

Universal Tow Bar Step

1.1

Tools & Items Required

5mm Allen/Hex Key

13mm Socket/Spanner

19mm Socket/Spanner

24mm Socket/Spanner

1.3

Hardware Required

50x50mm/2inx2in Tow Bar Receiver on Vehicle

NB These products are excluded and will need to be purchased separately.

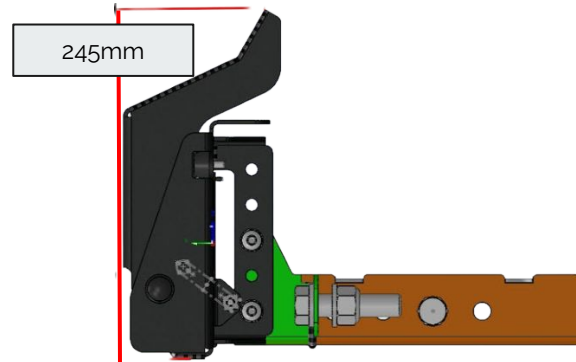
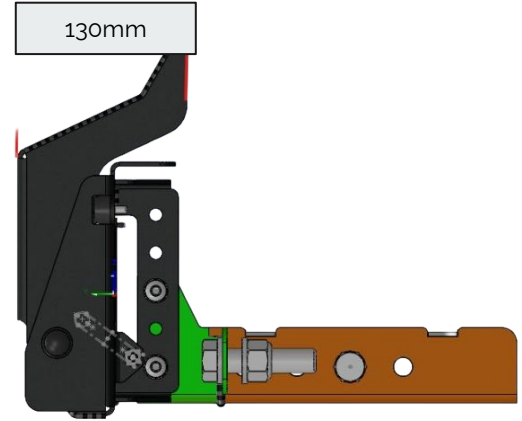
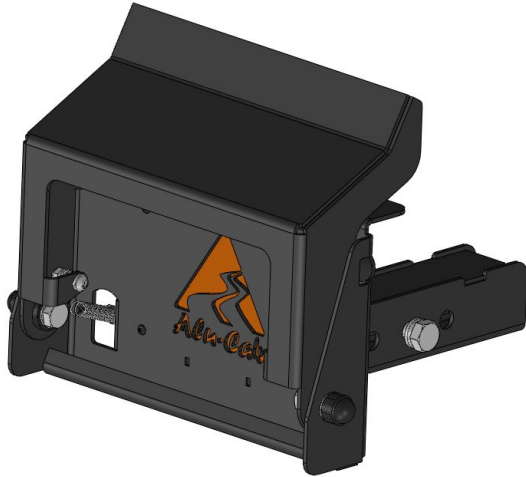
1.2

Parts Supplied

ITEM NO.	PART NUMBER	DESCRIPTION	QTY.
1	BHD-M8x20	M8x20 B/HD BOLT S/S	4
2	SW-M8	M8 SPRING WASHER S/S	4
3	FW-M8	M8x16mm FLAT WASHER S/S - DIN 125	4
4	HEX-M12x70	M12x70 HEX BOLT S/S	1
5	SW-M12	M12 SPRING WASHER S/S	1
6	FW-M12	12mm FLAT WASHER - DIN - 433	1
7	HEX-M16X65	M16X65 HEX BOLT S/S	2
8	FW-M16	M16x30mm FLAT WASHER M/S - DIN 125	4
9	NY-M16	M16 NYLOC NUT S/S	2

Installation Instructions

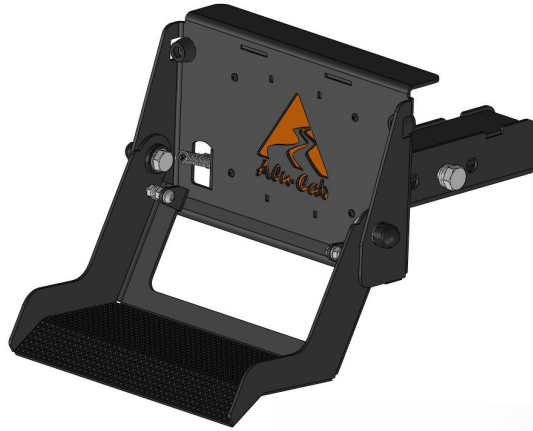
2 Universal Tow Bar Step - General Assembly: Closed Configuration



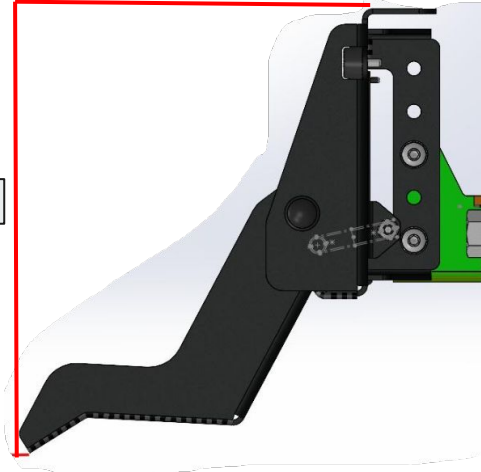
Installation Instructions

2

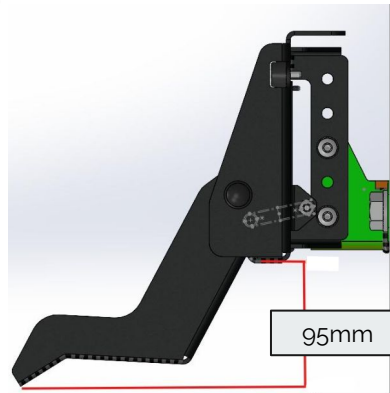
Universal Tow Bar Step - General Assembly: Open Configuration



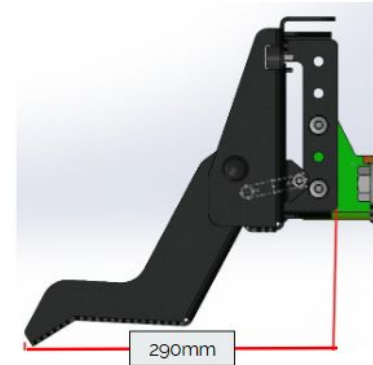
260mm



95mm



290mm



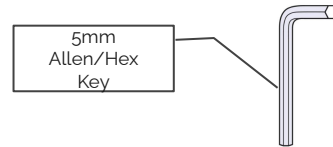
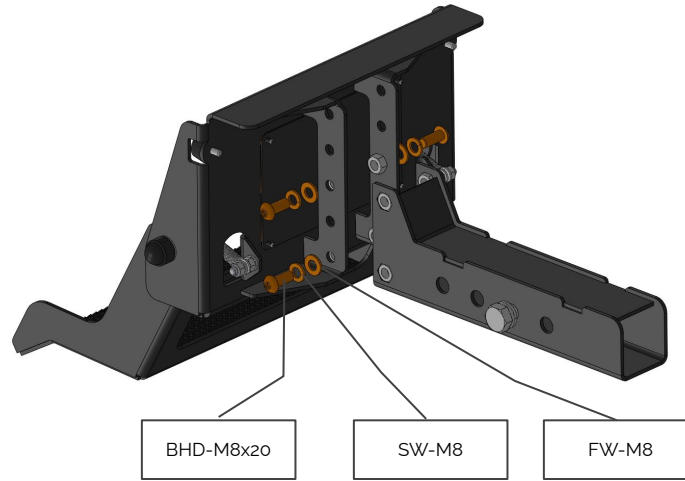
Installation Instructions

3

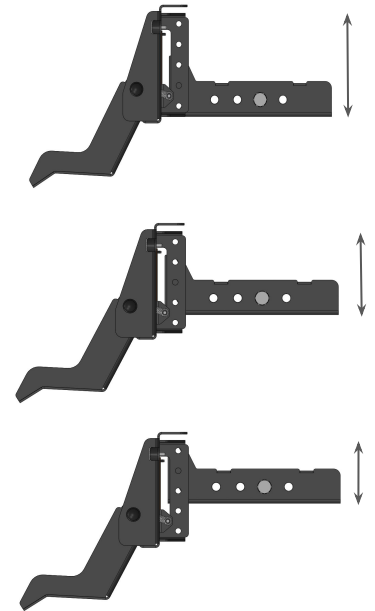
Mounting Option 1

Assembling and Adjusting the Step Height

- I. Before assembly, inspect all welded nuts to ensure no Powder Coating is present. If needed use an M8x1.25 Tap for the smaller nuts or an M12x1.75 Tap for the larger nuts.
- II. Align the step and bracket holes at your desired height level.
- III. Three height positions are available. These are shown on the right hand side. This allows the step to adjust to various vehicle heights, bumper accessories as well as your personal preference.
- IV. Fasten the four M8x12 button head bolts, M8 spring washers, M8 flat washers and integrated M8 threads.



3 Height Adjustment Levels



Tip: It is recommended to mount the step as high as your rear bumper allows. This prevents reducing your vehicle's departure angle.

Installation Instructions

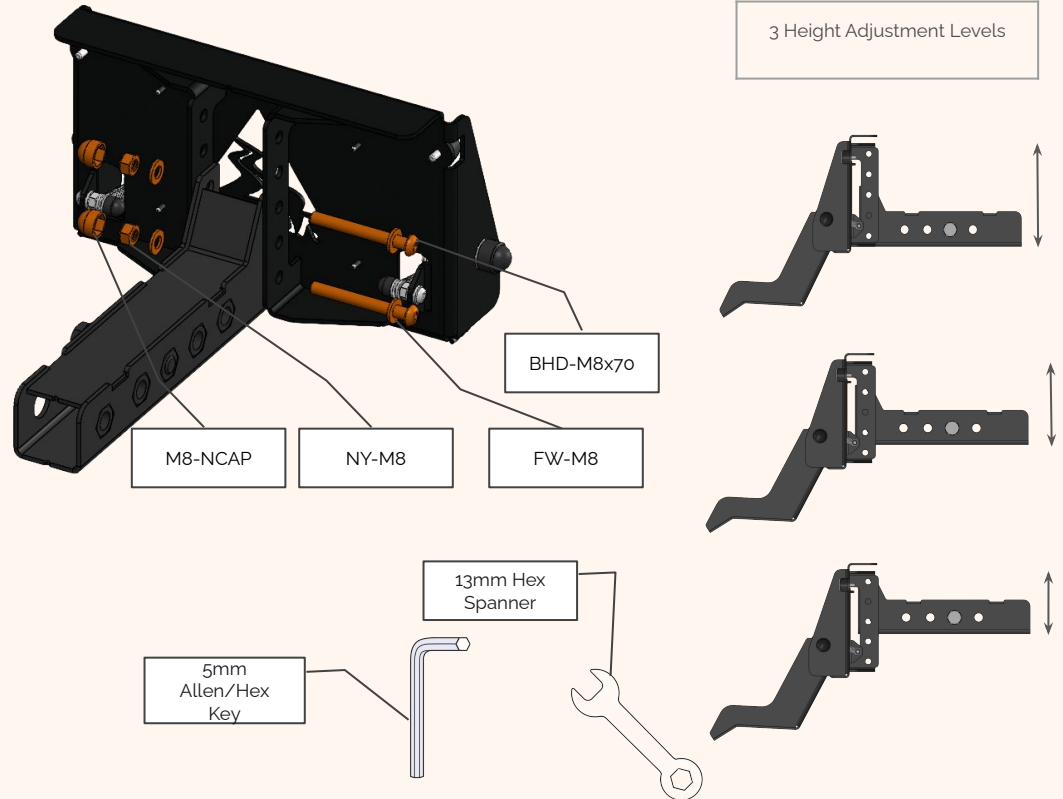
Mounting Option 1 - V2

3

Assembling and Adjusting the Step Height

- I. Before assembly, inspect all welded nuts to ensure no Powder Coating is present. If needed use an M8x1.25 Tap for the smaller nuts or an M12x1.75 Tap for the larger nuts.
- II. Align the step and bracket holes at your desired height level.
- III. Three height positions are available. These are shown on the right hand side. This allows the step to adjust to various vehicle heights, bumper accessories as well as your personal preference.
- IV. Fasten the four M8x12 button head bolts, M8 spring washers, M8 flat washers and integrated M8 threads.

Tip: It is recommended to mount the step as high as your rear bumper allows. This prevents reducing your vehicle's departure angle.



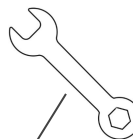
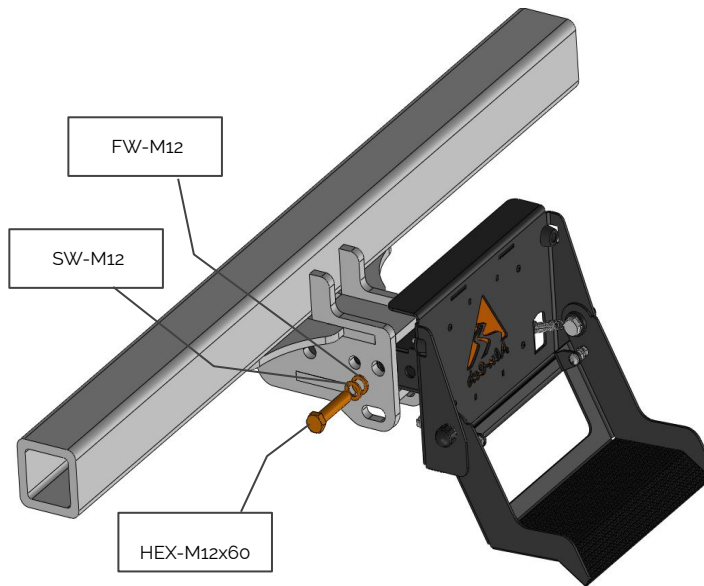
Installation Instructions

Mounting Option 1

4

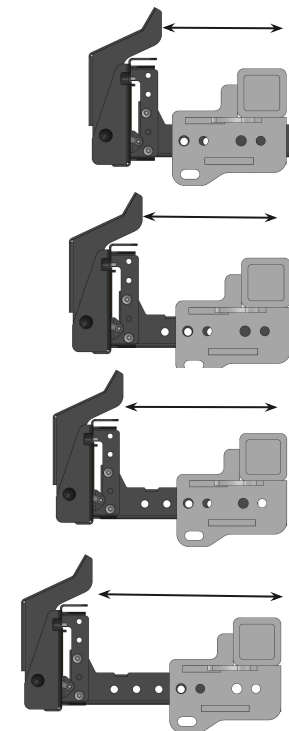
Fastening to Tow Bar Receiver

- I. Insert the towbar step into the vehicle's receiver.
- II. Align the hole location corresponding to your desired offset position.
- III. Four offset positions are available. These are shown on the right hand side. This allows the step to adjust to various bumper sizes and spare wheel carriers.
- IV. Fasten the M12x60 hex bolt, M12 spring washer, M12 washer and integrated M12 thread. **Preferably fasten on the side where the welded nut is present (LHS)**



19mm Hex
Spanner

4 Offset Adjustment Positions



Tip: It is recommended to mount the step as close to your rear bumper as possible. This prevents reducing your vehicle's departure angle.

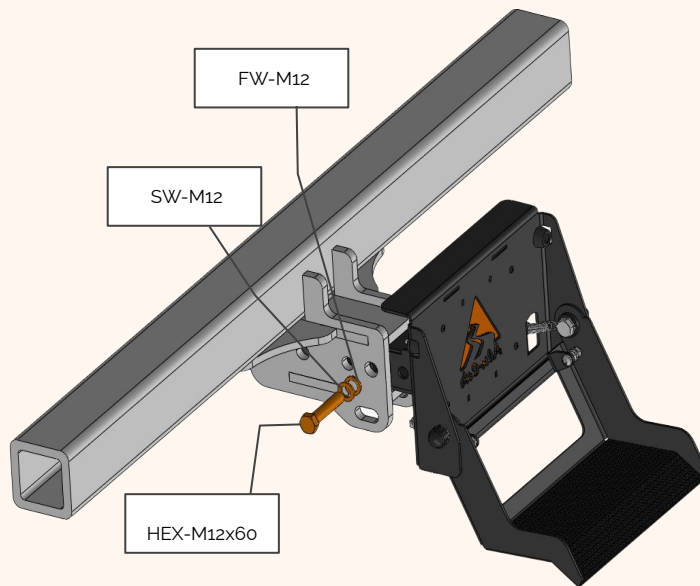
Installation Instructions

Mounting Option 1 - V2

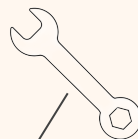
4

Fastening to Tow Bar Receiver

- I. Insert the towbar step into the vehicle's receiver.
- II. Align the hole location corresponding to your desired offset position.
- III. Four offset positions are available. These are shown on the right hand side. This allows the step to adjust to various bumper sizes and spare wheel carriers.
- IV. Fasten the M12x60 hex bolt, M12 spring washer, M12 washer and integrated M12 thread. **Preferably fasten on the side where the welded nut is present (LHS)**

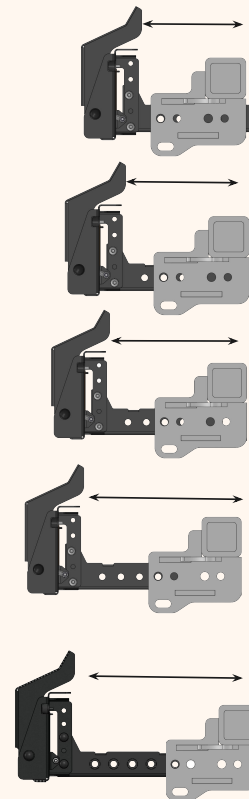


Tip: It is recommended to mount the step as close to your rear bumper as possible. This prevents reducing your vehicle's departure angle.



19mm Hex
Spanner

5 Offset Adjustment Positions



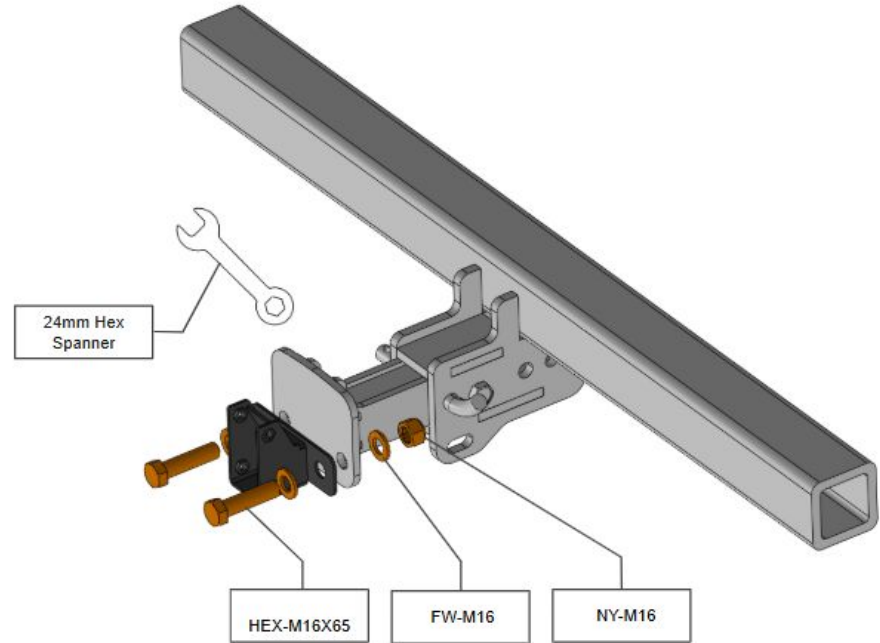
Installation Instructions

Mounting Option 2

5

Fastening Mounting Bracket

- I. Locate the mounting bracket on the vehicle's tow bar mount
- II. Fasten the two M16x65 hex bolts, four M16 washers, and two M16 nyloc nuts using two 24mm sockets/spanners



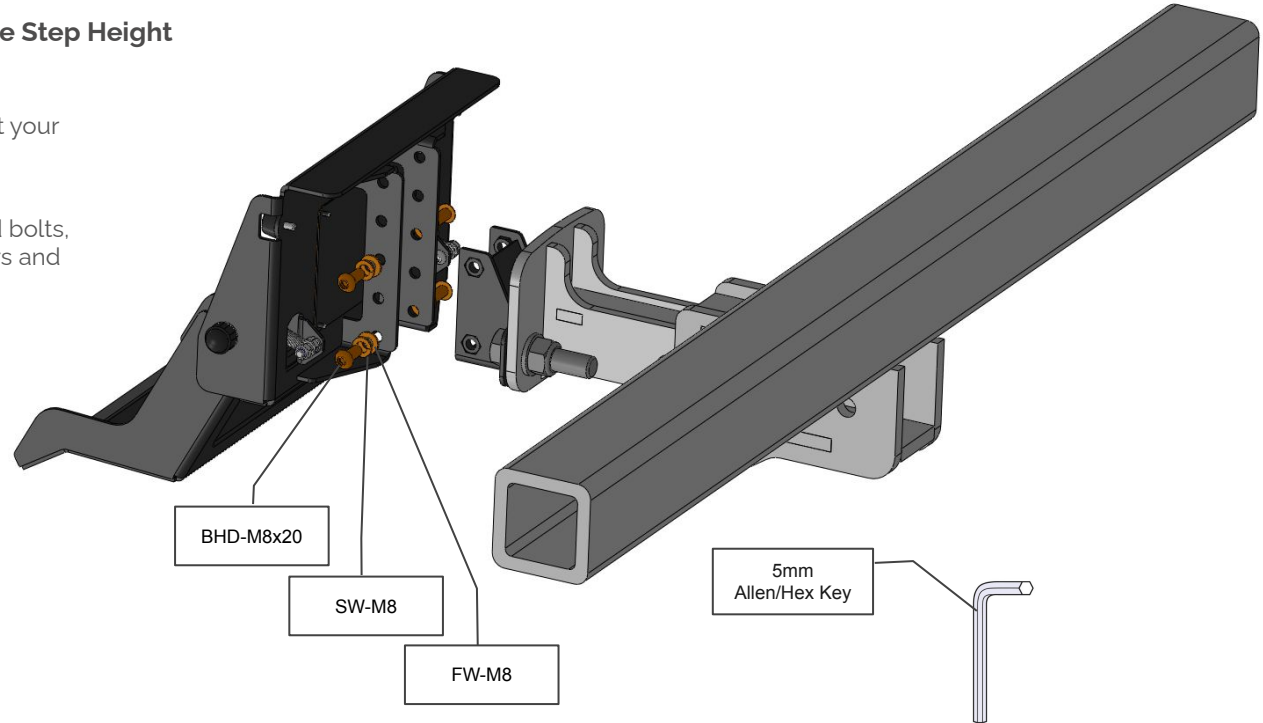
Installation Instructions

Mounting Option 2

6

Assembling and Adjusting the Step Height

- I. Align the step and bracket holes at your desired height level.
- II. Fasten the four M8x12 button head bolts, M8 spring washers, M8 flat washers and integrated M8 threads.



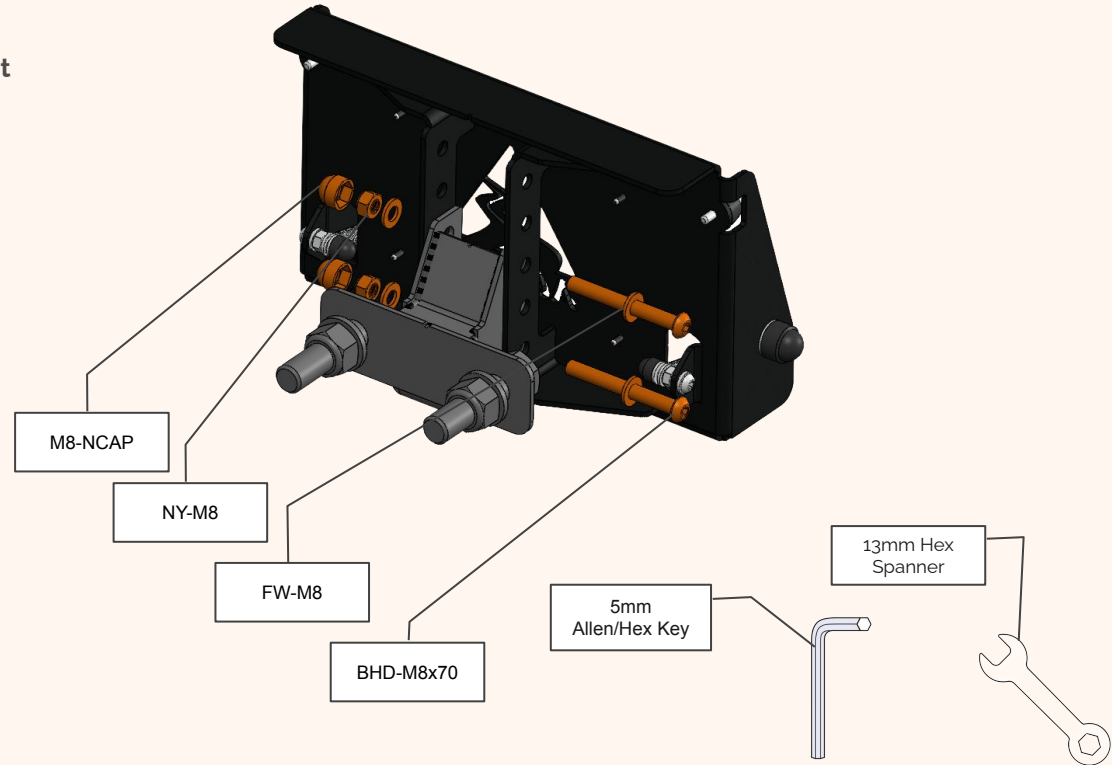
Installation Instructions

Mounting Option 2 - V2

6

Assembling and Adjusting the Step Height

- I. Align the step and bracket holes at your desired height level.
- II. Fasten the two M8x70 button head bolts, M8 flat washers, M8 Nylock nuts and M8 nut caps.

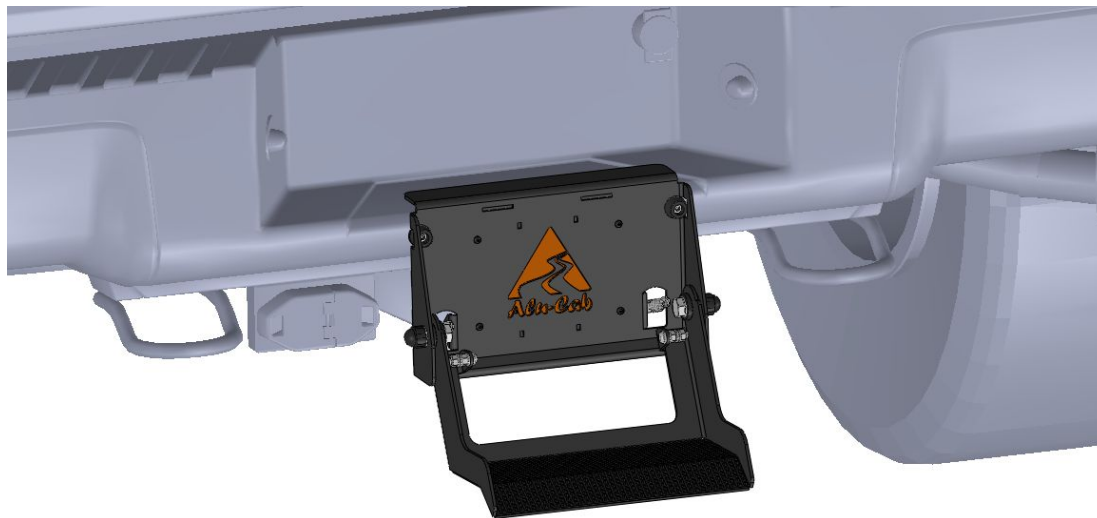


Installation Instructions

Universal Tow Bar Step

7

Installation Complete



Disclaimer

All rights reserved. No part of this website may be reproduced, translated, stored in a retrieval system, or transmitted, in any form or by any means, electronic, mechanical, photocopying, recording or otherwise, without prior written permission of the owner.

Review all instructions information carefully before installation.

Any damages, direct or incidental to the installer and/or property due to incorrect installation of any parts are the responsibility of the installer. Due to the various applications and fitment options available, the responsibility lies with the user to ensure all mounting points are secure and tight before every trip.

If unsure, consult with your Distributor regarding the operations of our products.

Users are advised to be mindful of the load they are carrying and drive in accordance with road conditions.

WARNING

Always wear appropriate PPE (Personal Protection Equipment) when fitting our products. Although the mounting kit is designed to be DIY, if you have any doubts or concerns, contact an accredited fitment centre to carry out the work. Alu-Cab will not be liable for any injury to persons, and/or damage to products and/or vehicles.

While Alu-Cab Holdings takes reasonable measures to ensure that the contents of this Website are accurate and complete, Alu-Cab Holdings makes no representations or warranties, whether express or implied, as to the quality, timeliness, operation, integrity, availability or functionality of this Website or as to the accuracy, completeness or reliability of any information on this Website. Alu-Cab Holdings reserves the right to make changes, corrections and/or improvements to the information and to the products and programs described in such information, at any time without notice.

Alu-Cab Holdings will use reasonable endeavours to maintain the availability of the Website, except during scheduled maintenance periods, and reserves the right to discontinue providing the Website or the service or any part thereof with or without notice to you. Any person who accesses this Website or relies on this Website or on the information contained in this Website does so at his or her own risk.

Occasionally, at our discretion, we may include or offer third-party products or services on our website. These third-party sites have separate and independent privacy policies. We therefore have no responsibility or liability for the content and activities of these linked sites. Nonetheless, we seek to protect the integrity of our site and welcome any feedback about these sites.