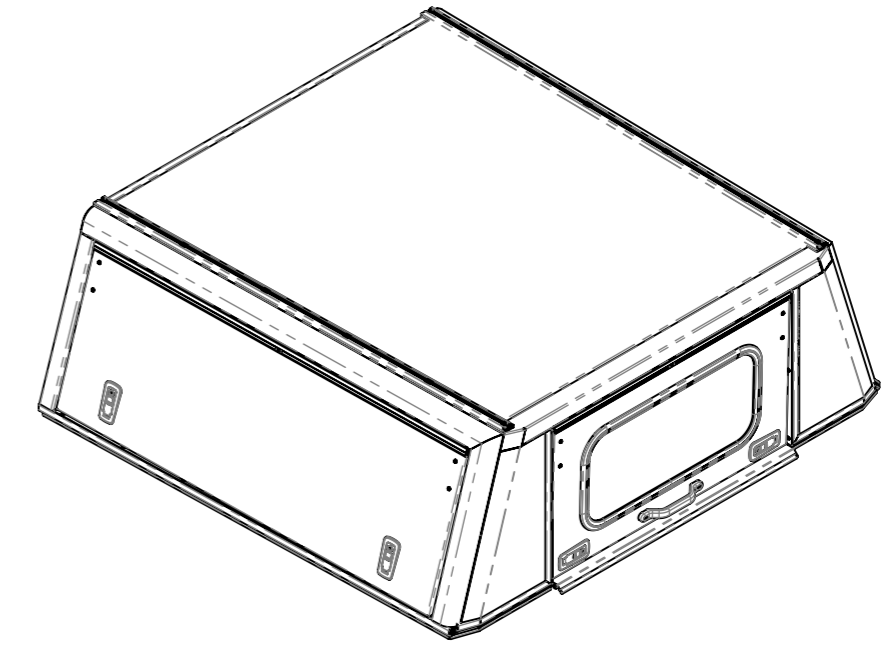
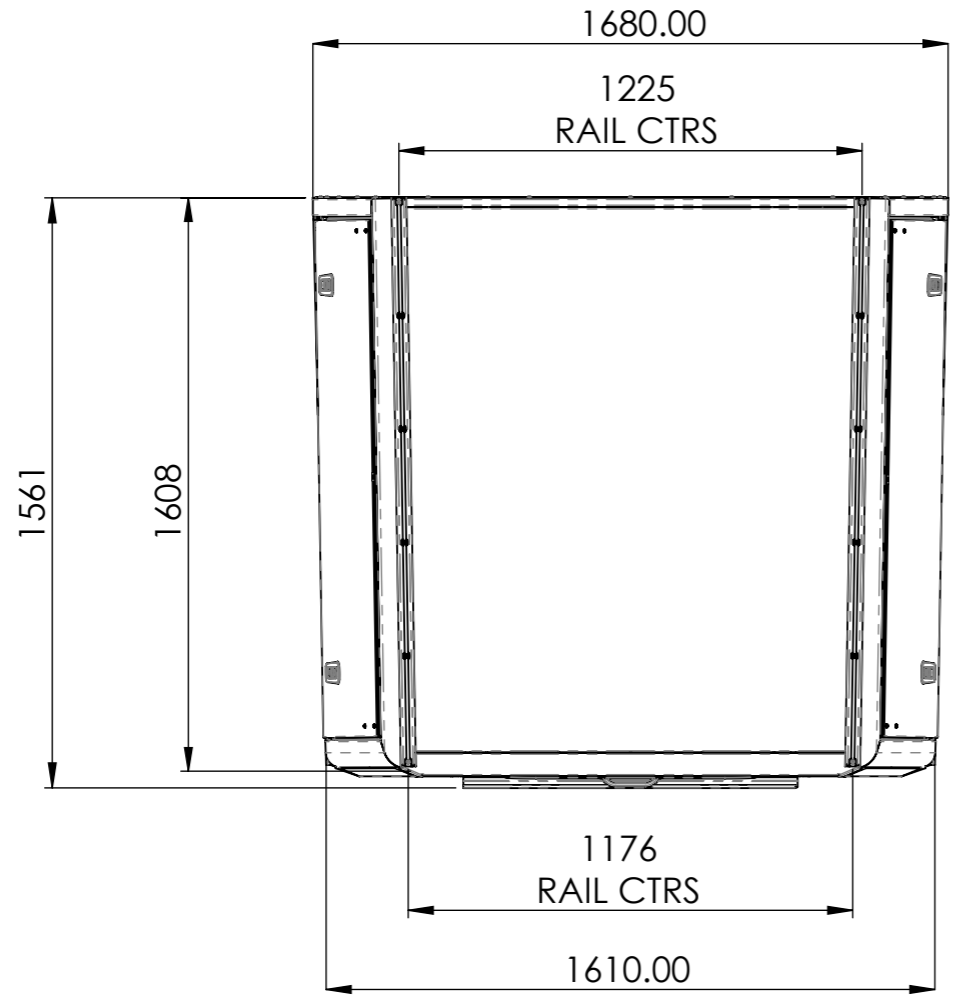
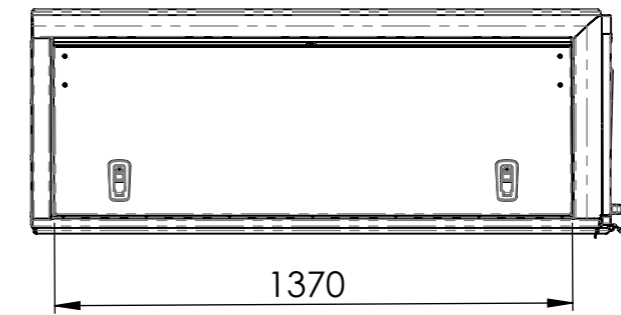
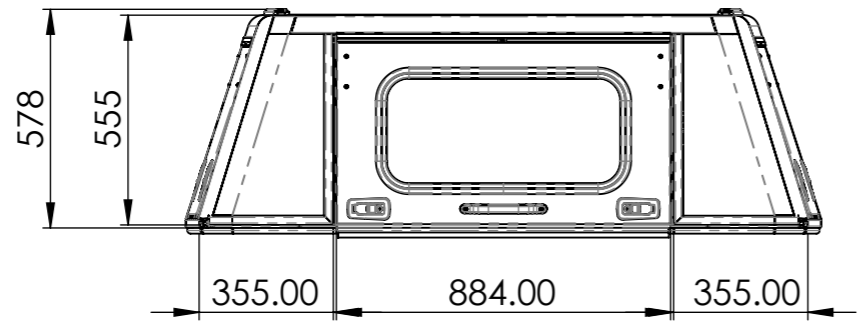


GENERAL ARRANGEMENT

VW AMAROK DC ADVENTURE DOOR CANOPY

ASSY INFO	MASS (kg):	
	BONDED:	Y
	FASTENED:	Y
FINISH	WELDED:	Y
	TUMBLED:	
	BRUSHED:	
	POWDER:	
	SPRAY:	
	COLOUR:	N/A



**TOLERANCES TO ASSUME
UNLESS INDICATED OTHERWISE**

NOM	DIMENSION	RANGE (mm)	TOLERANCE
0.50	-	3.00	± 0.10
3.00	-	6.00	± 0.15
6.00	-	30	± 0.20
30	-	120	± 0.30
120	-	400	± 0.50
400	-	1000	± 1.00
1000	-	1000<	± 2.00

DESCRIPTION:
VA10 DC ADV CANOPY ASSEMBLY

PROJECT:

DRAWN BY: System Administrator
DATE: 2024-10-10

THE INFORMATION CONTAINED WITHIN THIS DOCUMENT IS THE INTELLECTUAL PROPERTY OF ALU-CAB (PTY) LTD

SHEET: A3
SCALE: 1:20
SHEET 1 of 1

DRAWING NO. C-D-VA10-A-GA



REV
01