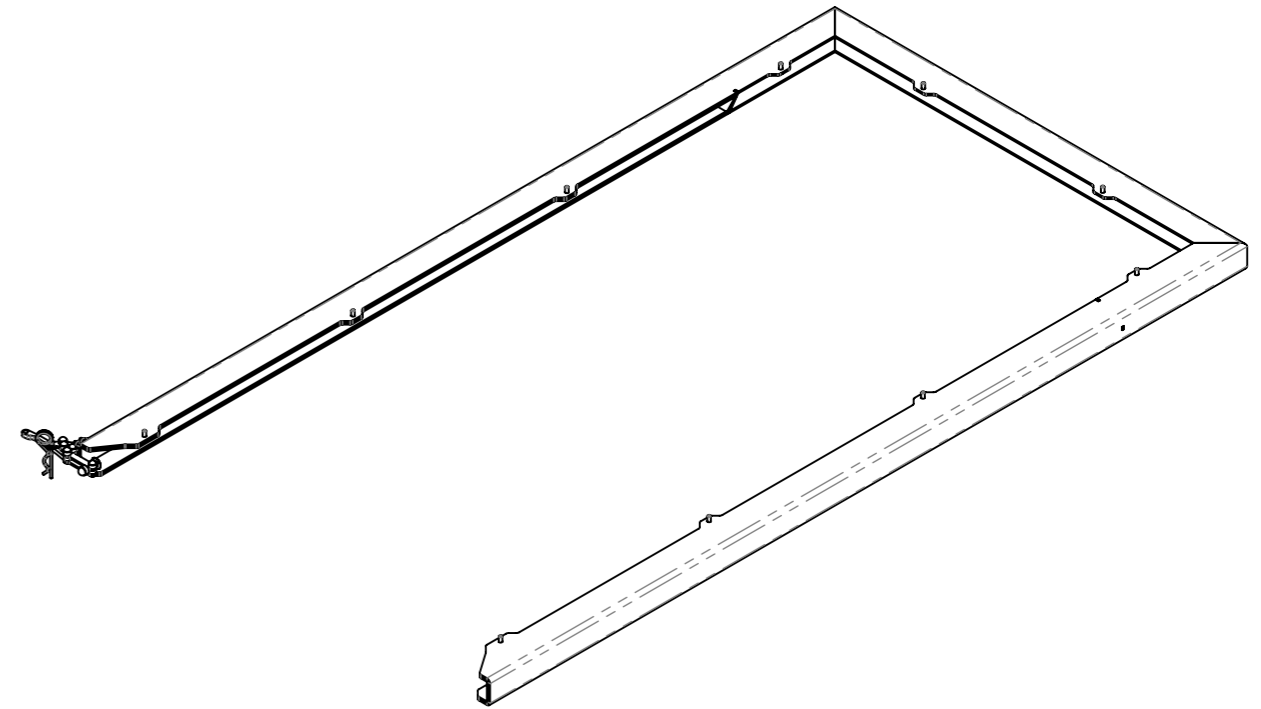
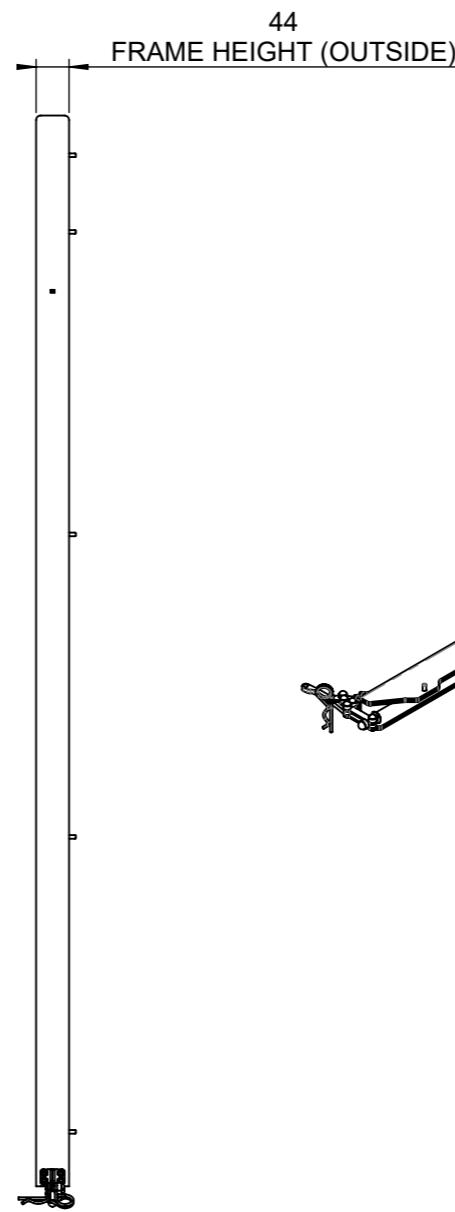
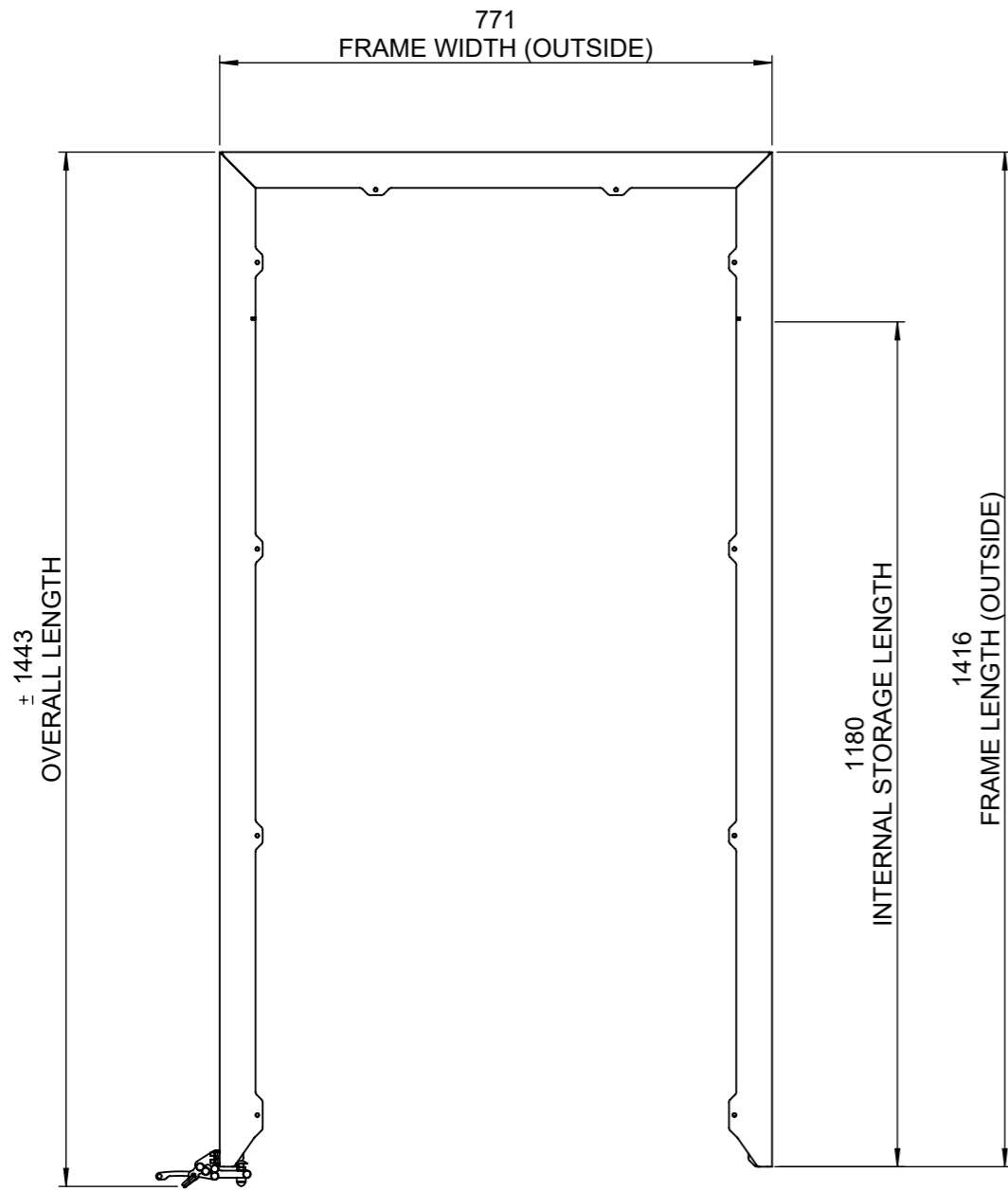
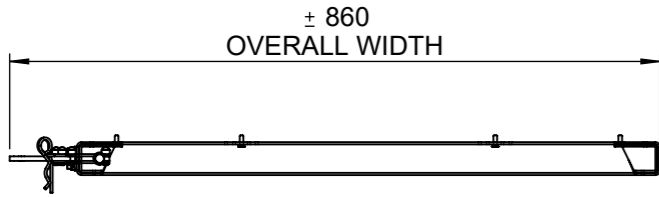


GENERAL ARRANGEMENT ONLY

ASSY INFO	MASS (kg):	5.010
	BONDED:	Y
	FASTENED:	Y
FINISH	WELDED:	
	TUMBLED:	
	POWDER:	
	SPRAY:	N/A
COLOUR:	N/A	



NOTE: THE CAMPER TABLE SLIDE IS SPECIFICALLY DESIGNED TO SUIT THE ALU-TABLE ONLY

TOLERANCES TO ASSUME UNLESS INDICATED OTHERWISE		
NOM DIMENSION	RANGE (mm)	TOLERANCE
0.50	- 3.00	± 0.10
3.00	- 6.00	± 0.15
6.00	- 30	± 0.20
30	- 120	± 0.30
120	- 400	± 0.50
400	- 1000	± 1.00
1000	- 1000<	± 2.00

DESCRIPTION: TABLE SLIDE MAIN ASSEMBLY		SHEET: A3
PROJECT: 602 - CAMPER TABLE SLIDE		SCALE: 1:10
DRAWN BY: Andreas Schwerdtfeger	DATE: 2020-08-26	DRAWING NO. CC-A-TS-GA
THE INFORMATION CONTAINED WITHIN THIS DOCUMENT IS THE INTELLECTUAL PROPERTY OF ALU-CAB (PTY) LTD		REV 00



REVISIONS		DATE	APPROVED
REV.	DESCRIPTION		
00	RELEASED FOR PRODUCTION	2020-08-26	Brad Needham