



FITMENT INSTRUCTIONS

Canopy Camper Spare Wheel Carrier

Installation Instructions

Preliminary information

Installation and fitment instructions includes the tools required, fasteners included in the kit, and the hardware included in the kit.

Please follow the instructions and check installation steps with the images in this document.

Alu-Cab recommends that all sealing work is allowed to cure for 24 hours, after which you may drive the vehicle on normal paved roads. Before driving off-road with your Alu-Cab product or operating your roof conversion, an additional cure period of 48 hours is required.

Failure to follow these instructions will void your warranty. Please ensure that you follow the sealant manufacturers curing time as per their technical data sheet.

These times may differ slightly from the times we have recommended.



Service Enquiries email
queries@alu-cab.com

Installation Instructions

Tools, Fasteners & Hardware

1.1

Tools & Items Required

18mm Ring Spanner & Socket
24 mm Ring Spanner & Socket
Ratchet
Centre Punch
Hammer
Ø5mm Drill Bit
Drill
Ø13mm Drill Bit

1.3

Items

Turpentine
Cloth
Black sealant, silicone or Sikaflex
Window Cleaner / Dishwashing Soap

1.2

Fasteners Supplied

NUT CAP M12mm	8
M16 FLAT WASHER S/S	2
M16 HEX NUT S/S	1
M12x1.75 WHEEL STUD	3
M12 NYLOC NUT S/S	4
M12 FLAT WASHER S/S	8
M12x60 HEX BOLT S/S	4
BLIND RIVET	5
M12x1.75 WHEEL NUT	3
M16 NYLOC NUT S/S	1

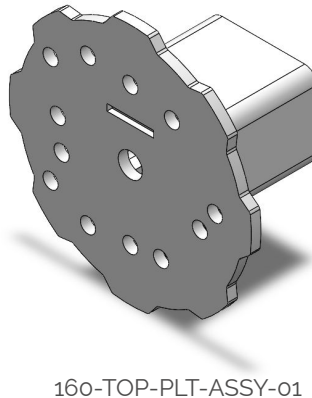
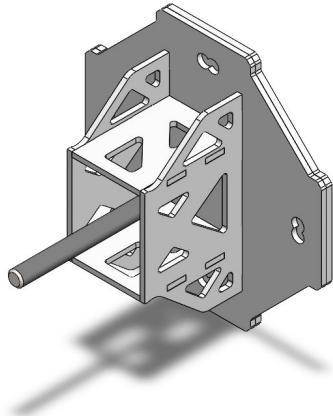
Installation Instructions

Tools, Fasteners & Hardware

1.4

Part Identification

Part Number	Description	Qty
160-BASE-PLT-ASSY-01	BASE PLATE ASSEMBLY	1
160-TOP-PLT-ASSY-01	TOP PLATE ASSEMBLY	1
162-RER-SPARE-WHL-BACK-PLT-01	SPARE WHEEL BACKING PLATE	1

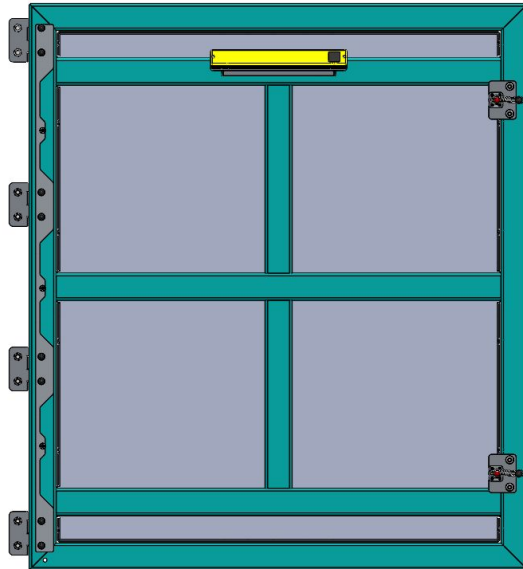


Installation Instructions

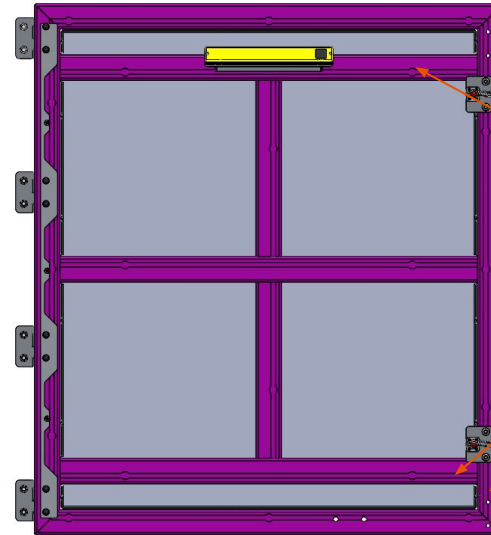
2

Fitment of Spare Wheel Bracket Base Plate to the Canopy Camper Rear Door:

1. Check that you have all the correct fasteners and parts as indicated in pages 2 and 3.
2. Determine which style door you have
 - a. Rectangular Tube Door
 - b. Nut slot Door



Rectangular Tube Door



Nut Slot Extrusion

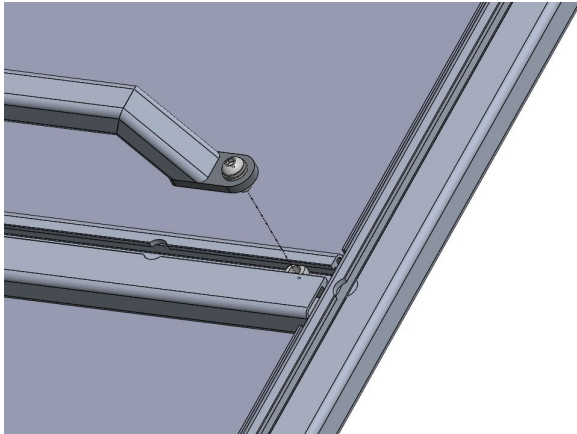
Nut Slot Door

Installation Instructions

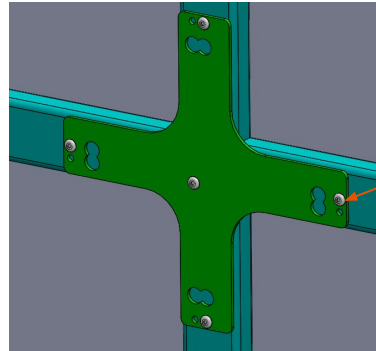
2

Fitment of Spare Wheel Bracket Base Plate to the Canopy Camper Rear Door:

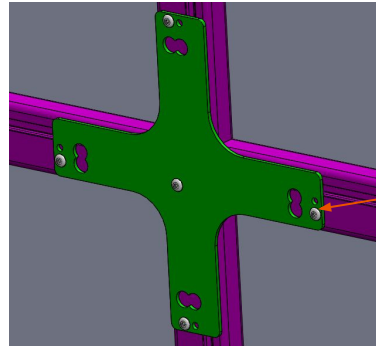
3. Remove the Handle from the inside of the door using a 5mm Allen Key for the nut slot door or a 4mm Allen Key for the rectangular tube door.
4. Align the backing plate to the centre of the door, drill out the 5mm holes and rivet the plate in place, note the holes differ with the different door types.



Remove Handle



Centred Hole for
Rectangular Tube



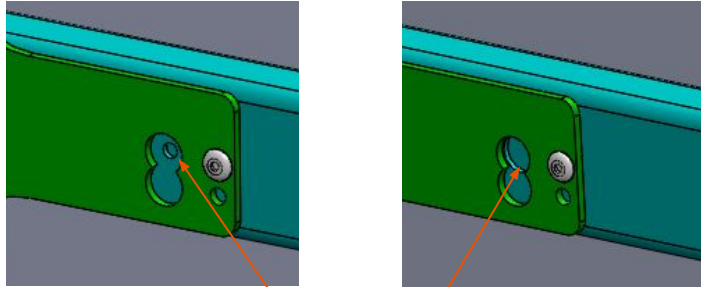
Off-Centre Hole for Nut
Slot Extrusion

Installation Instructions

2

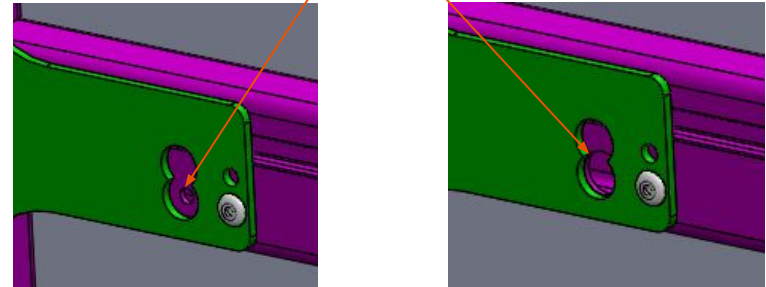
Fitment of Spare Wheel Bracket Base Plate to the Canopy Camper Rear Door:

5. Mark the centre of the holes and drill a pilot hole using a $\varnothing 5\text{mm}$ drill bit through the extrusions and the cover plate.
6. Enlarge hole using a $\varnothing 13\text{mm}$ hole



Drill $\varnothing 5\text{mm}$ Centred Pilot
Hole
Enlarge to $\varnothing 13\text{mm}$
(RECTANGULAR TUBE)

Drill $\varnothing 5\text{mm}$ Centred Pilot
Hole
Enlarge to $\varnothing 13\text{mm}$
(NUT SLOT EXTRUSION)

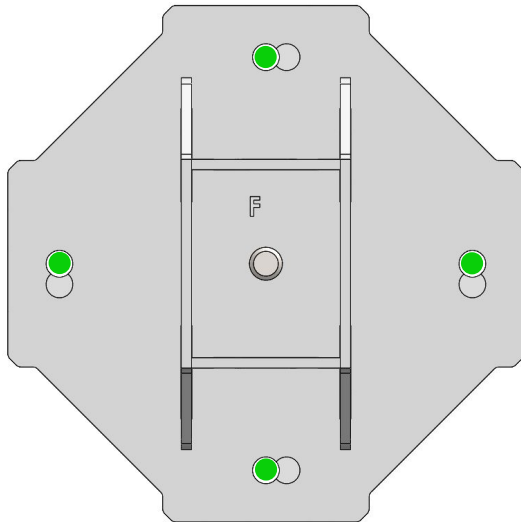


Installation Instructions

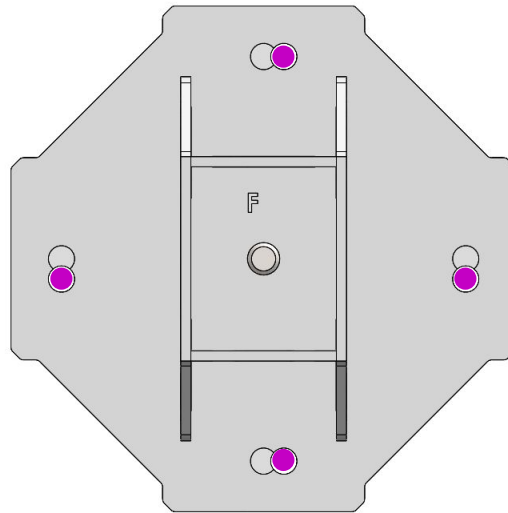
2

Fitment of Spare Wheel Bracket Base Plate to the Canopy Camper Rear Door:

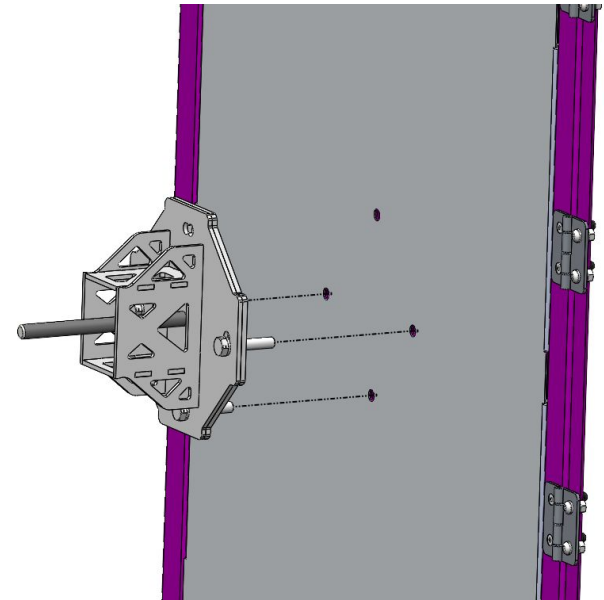
7. Drill the rubber out on the base plate assembly to match the holes in the door.
8. Place the base plate assembly on to the rear door and use 3 off the M12x60 bolts to align the assembly to the holes drilled in the door. Note the orientation of the F is such that it stands upright.



Rectangular Tube Door



Nut Slot Door



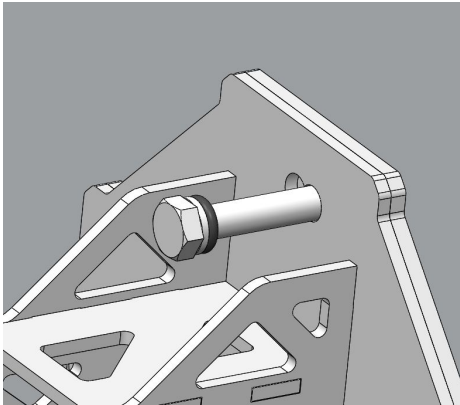
Locate Base Plate

Installation Instructions

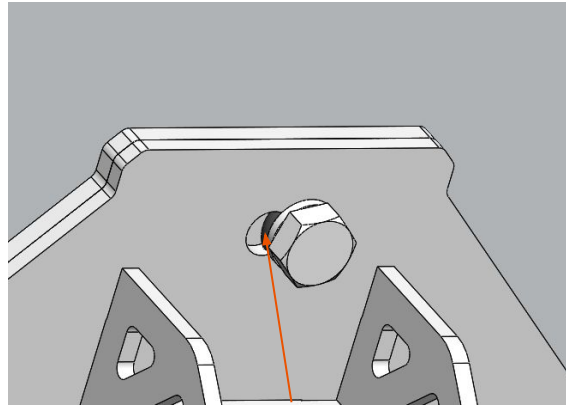
2

Fitment of Spare Wheel Bracket Base Plate to the Canopy Camper Rear Door:

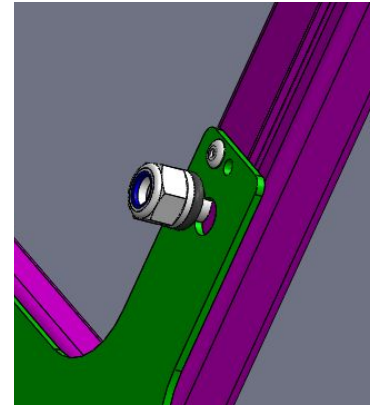
9. Place a M12 washer on to the remaining M12x60 bolt. Apply a bead of sika behind the washer, enough to create a 5mm tube around the circumference of the bolt. Push it through the remaining hole. Ensure enough sika squeezes out past the head to create a seal with the rubber, the plate and the bolt.
10. Shoot a bead of sika around the other end of the bolt, then thread a washer and nylock nut onto the bolt and partially tighten the nut down.
11. Repeat this for the rest of the bolts, in total it should be done 4 times.
12. With the Base Plate aligned in place, fully tighten down the nylocks.
13. Seal the perimeter of the rubber by shooting a bead of Sikaflex and forming it into a fillet using a cloth wet with window cleaner or dish soap.



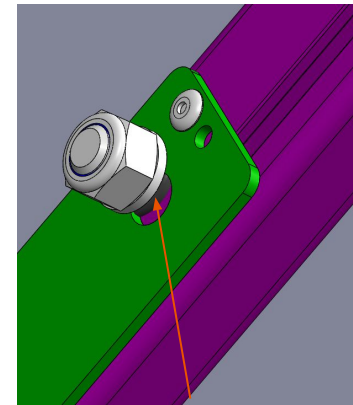
Shoot Bead of Sikaflex
Behind Washer



Squeeze sika down,
ensuring it seals



Shoot Bead of Sikaflex on
the inner side of the bolt



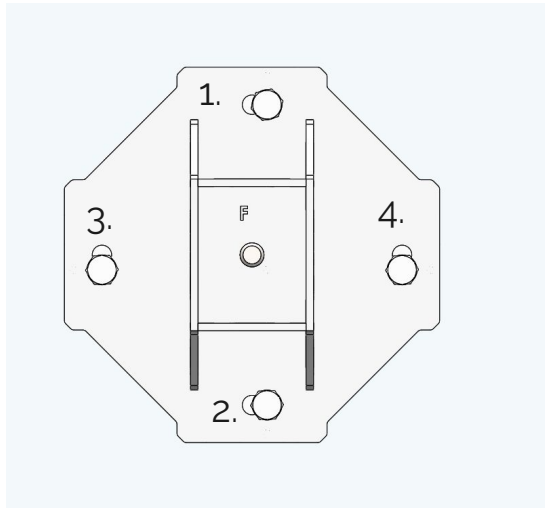
Squeeze sika down,
ensuring it seals

Installation Instructions

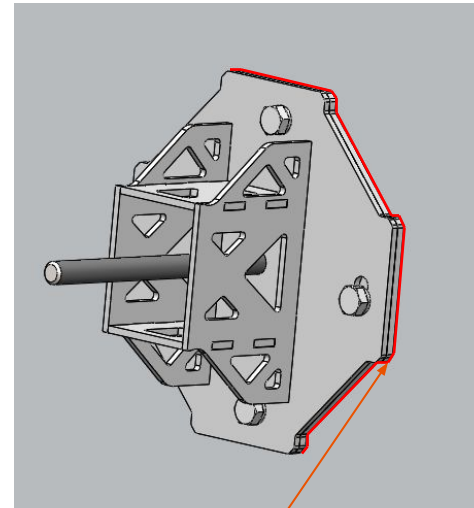
2

Fitment of Spare Wheel Bracket Base Plate to the Canopy Camper Rear Door:

11. Repeat this for the rest of the bolts, in total it should be done four times.
12. With the Base Plate aligned in place, fully tighten down the nylocks.
13. Seal the perimeter of the rubber by shooting a bead of Sikaflex and forming it into a fillet using a cloth wet with window cleaner or dish soap.



Repeat Sealing and Fastening
of Bolts four times



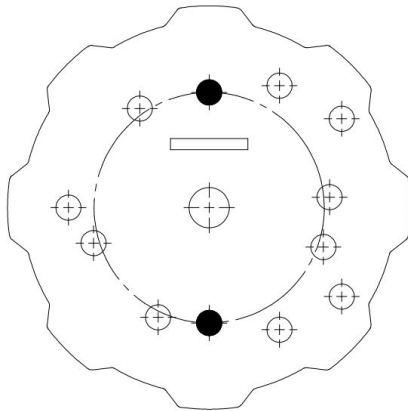
Seal the Perimeter of the Rubber
on the Base Plate with Sikaflex

Installation Instructions

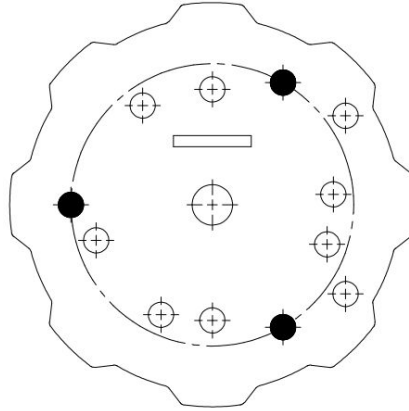
3

Fitment of Wheel Studs to the Spare Wheel Bracket Top Plate Assembly:

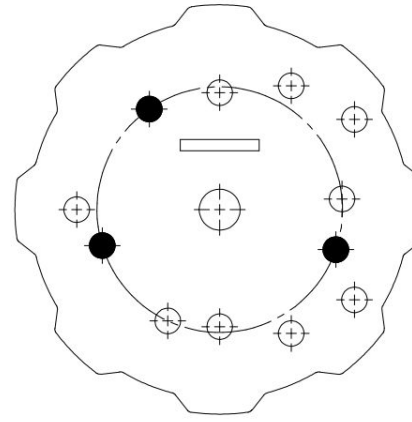
1. Refer to the matrix and Identify which holes you require.
2. Pull the Wheel Studs into the top plate using the supplied nut, to prevent damage to the powder coating place a washer down before pulling the wheel stud
3. Repeat for the required number of holes



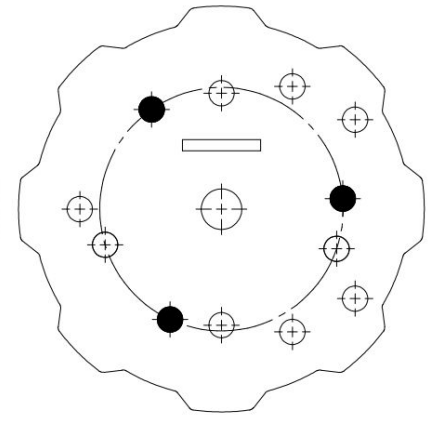
4 HOLE AND 6 HOLE
114.3mm PCD



6 HOLE
139.7mm PCD



5 HOLE
120mm PCD



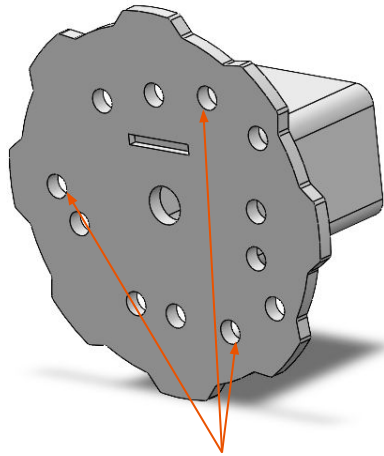
6 HOLE
120mm PCD

Installation Instructions

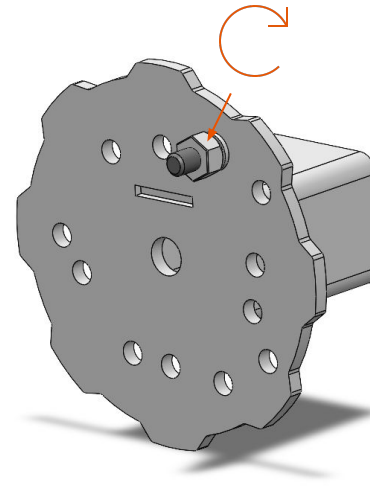
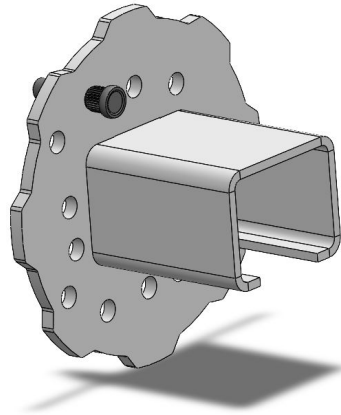
3

Fitment of Wheel Studs to the Spare Wheel Bracket Top Plate Assembly:

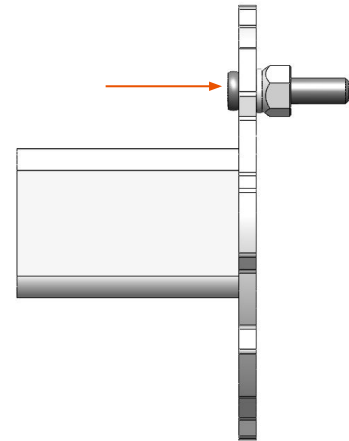
2. Pull the Wheel Studs into the top plate using the supplied nut, to prevent damage to the powder coating place a washer down before pulling the wheel stud
3. Repeat for the required number of holes



Identify Required Holes Using
Matrix (6 HOLE on 139,7mm PCD)



Use Wheel Nut to Pull the Studs
until shoulder on the wheel stud
seats against the back surface of
the top plate

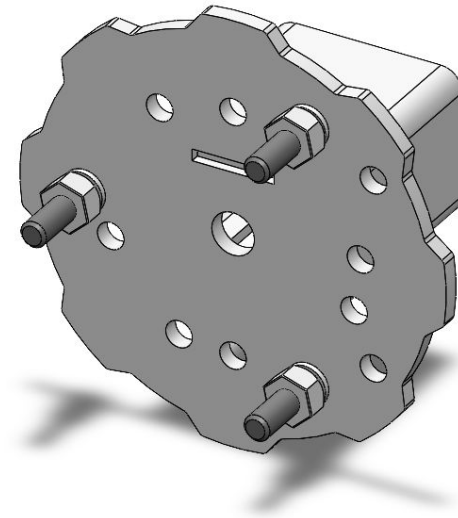


Installation Instructions

3

Fitment of Wheel Studs to the Spare Wheel Bracket Top Plate Assembly:

3. Repeat for the required number of holes

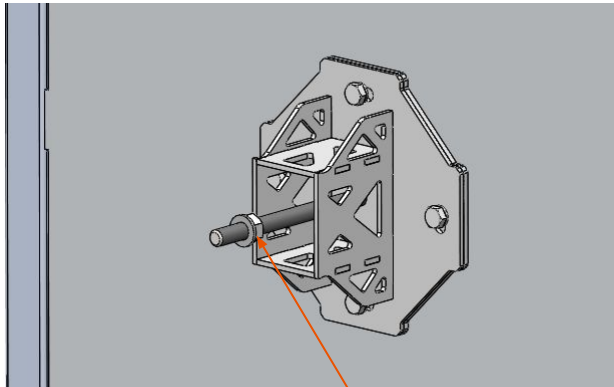


Installation Instructions

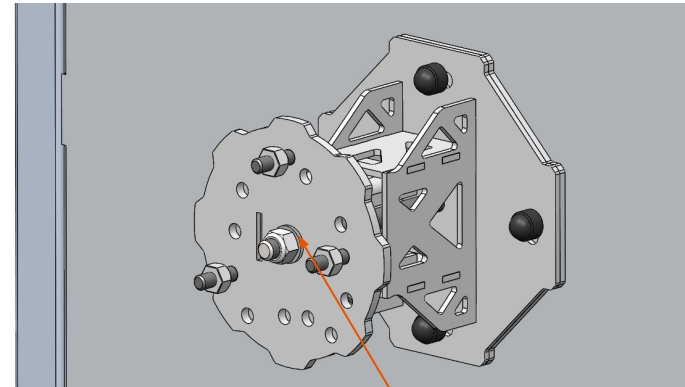
4

Fitment of Top Plate Assembly to Base Assembly:

1. Thread the supplied M16 hex nut onto the threaded rod and then place a washer over the threaded bar.
2. Place the Top Plate assembly over the threaded bar and align it to the correct orientation so that it seats inside the base assembly.
3. Fasten the Top Plate Assembly in place by using a nylock nut and a washer.



Thread Hex Nut and Washer on to the Threaded Rod



Place Top Plate Assembly over threaded Rod and Secure in Place using Nylock and Washer

Installation Instructions

5

Mounting of Spare Wheel and Adjusting the Top Plate

1. Mount the spare wheel on to the wheel studs and secure it in plate using the supplied wheel nuts.
2. The spare wheel should contact and compress into the rear door.
3. If the spare wheel does not contact the rear door, then adjust the position of the top plate.
4. Adjust the position of the top plate by tightening the nut behind the top plate and then chasing it with the nylock do this until you get a 4-8mm compression on the spare wheel when you fasten it down fully.
5. Reinstall your door handle on the inside of your Canopy Camper Door.

ALLOW ANY SIKAFLEX TO SET FOR 24 HOURS BEFORE GOING OVERLANDING
CONGRATULATIONS YOU HAVE COMPLETED YOUR INSTALLATION!

Disclaimer

All rights reserved. No part of this website may be reproduced, translated, stored in a retrieval system, or transmitted, in any form or by any means, electronic, mechanical, photocopying, recording or otherwise, without prior written permission of the owner.

Review all instructions information carefully before installation.

Any damages, direct or incidental to the installer and/or property due to incorrect installation of any parts are the responsibility of the installer. Due to the various applications and fitment options available, the responsibility lies with the user to ensure all mounting points are secure and tight before every trip.

If unsure, consult with your Distributor regarding the operations of our products.

Users are advised to be mindful of the load they are carrying and drive in accordance with road conditions.

WARNING

Always wear appropriate PPE (Personal protection equipment) when fitting our products. Although the mounting kit is designed to be DIY, if you have any doubts or concerns, contact an accredited fitment centre to carry out the work. Alu-Cab will not be liable for any injury to persons, and/or damage to products and/or vehicles.

While Alu-Cab Holdings takes reasonable measures to ensure that the contents of this Website are accurate and complete, Alu-Cab Holdings makes no representations or warranties, whether express or implied, as to the quality, timeliness, operation, integrity, availability or functionality of this Website or as to the accuracy, completeness or reliability of any information on this Website. Alu-Cab Holdings reserves the right to make changes, corrections and/or improvements to the information and to the products and programs described in such information, at any time without notice.

Alu-Cab Holdings will use reasonable endeavours to maintain the availability of the Website, except during scheduled maintenance periods, and reserves the right to discontinue providing the Website or the service or any part thereof with or without notice to you. Any person who accesses this Website or relies on this Website or on the information contained in this Website does so at his or her own risk.

Occasionally, at our discretion, we may include or offer third-party products or services on our website. These third-party sites have separate and independent privacy policies. We therefore have no responsibility or liability for the content and activities of these linked sites. Nonetheless, we seek to protect the integrity of our site and welcome any feedback about these sites.