



FITMENT INSTRUCTIONS

NISSAN NAVARA 2021 DOUBLE CAB EXPLORER

Installation Instructions

Preliminary information

Installation and fitment instructions including tools required, fasteners included in kit, and the hardware included in kit.

Please following the instructions and check installation actions with the images in this document.



Service Enquiries email
queries@alu-cab.com

Installation Instructions

1.1

Canopy Fitment – Tools, Fasteners & Hardware

Tools & Items Required

Ratchet
Allen key
13mm Socket
13mm Ring Flat Spanner

Item

Turpentine
Cloth
Black sealant, silicone or Sikaflex
Window Cleaner

Installation Instructions

Canopy Fitment – Tools, Fasteners & Hardware

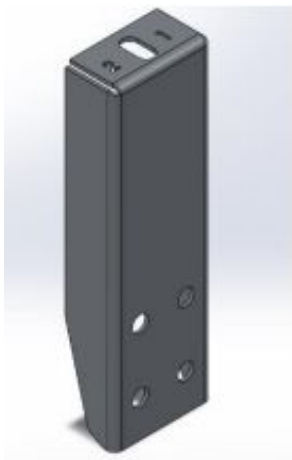
1.2

Hardware supplied

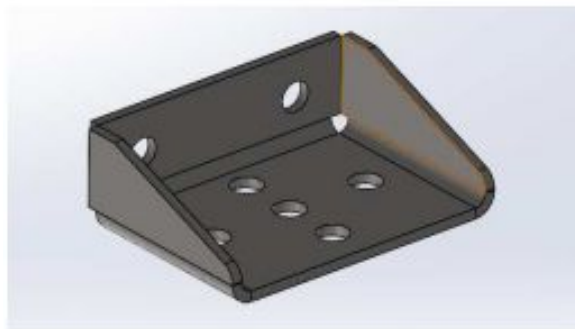
ITEM NO.	PART NUMBER	DESCRIPTION	QTY
1	NV21-M-BKT-CHAN-BRKT-01	CHANNEL BRACKET	4
2	AC001-CAN-MNT-BRKT-01	CANOPY MOUNTING BRACKET	4
3	AC001-STD-SHIM-01	STANDARD SHIM 01	32
4	HEX-M8x20	M8x20 HEX BOLT S/S	16
5	FW-M8	M8x16mm FLAT WASHER S/S - DIN 125	44
6	NY-M8	M8 NYLOC NUT S/S	28
7	NCAP-M8	NUT CAP-08mm	40
8	HEX-M8x30	M8x30 HEX BOLT S/S	4
9	162-NP300-21-UNITRX-MNT-BRKT-01	NP300 UNITRAX SPACER	4
10	NP300-SPACER-PLT-01	SPACER PLATE	4
11	CS-NUT-PLT-01	CUP SQUARE PLATE	4
12	SW-M8	M8 SPRING WASHER S/S	8
13	BHD-M8x20	M8x20 B/HD BOLT S/S	16
14	FFW-M8	M8x20mm OVERSIZED WASHER S/S - DIN 9021	12
15	BX-AC1	AC 1 - BOX	1
16	SQN-M8x30	M8x30 CUP SQ BOLT S/S	8
17	ELAS-BAND-14	ELASTIC BAND NO.6	4

Installation Instructions

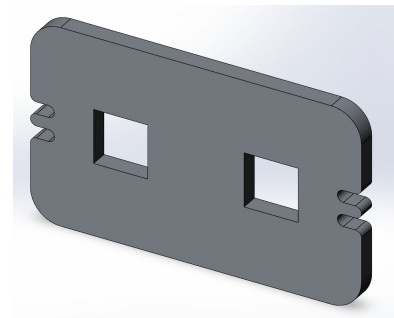
Brackets included:



1 - Channel Bracket

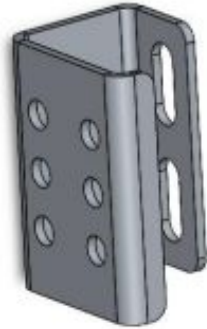


2 - Canopy mounting bracket



11 - Cup Square Nut plate

Installation Instructions



9 – NP300 Unitrax Spacer



10 – Spacer Plate

2

Mounting the canopy brackets to the load bin:

The Navara canopy has four bracket kits (2 per side) which are fitted to the load bin.

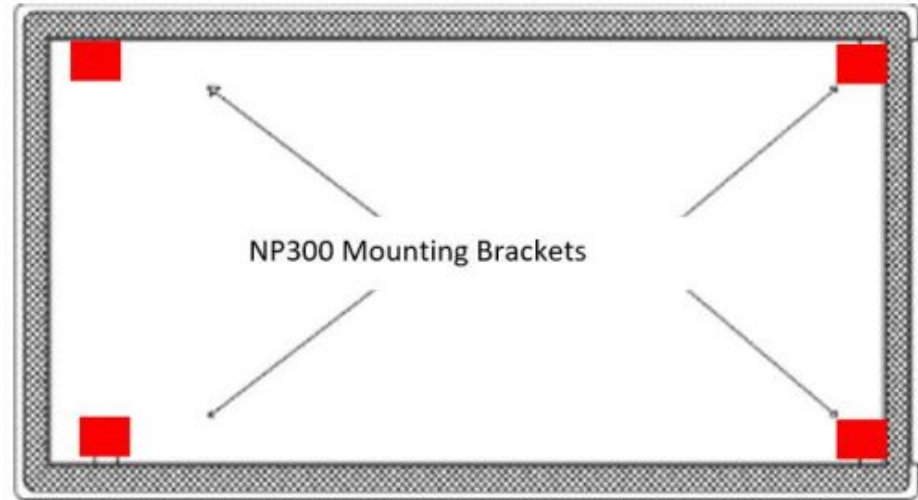
Important Note: The Nissan Navara 2021 can come with or without the standard Unitrax Load Bar.

Installation Instructions

2.1

Mounting with a Unitrax Load Bar:

The installation of the mounting brackets with the Unitrax mounting rail is straight forward. Place the nut plate into the mounting rail and slide it to the desired location. The spacing should be roughly as indicated in the image below.

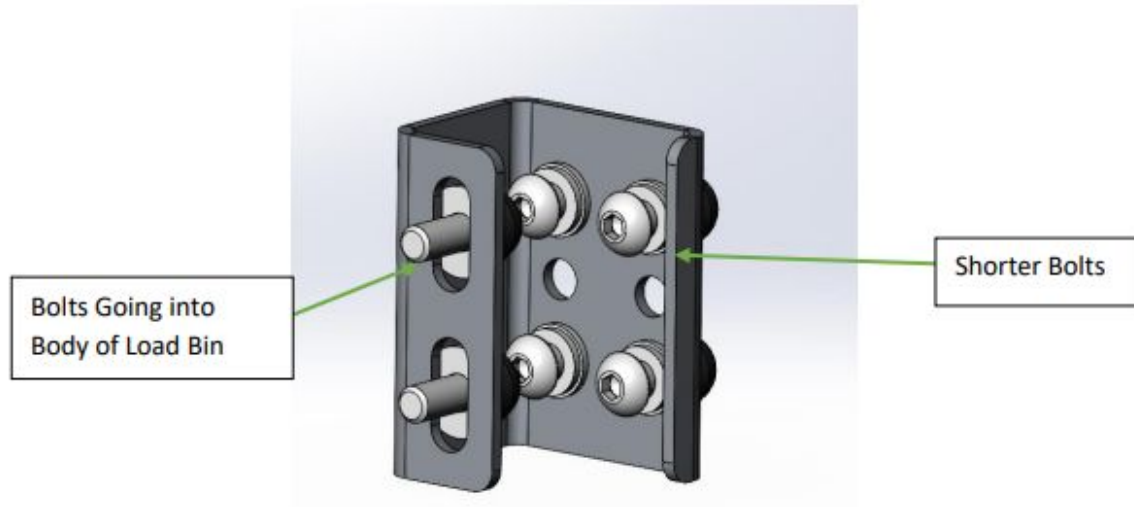


Installation Instructions

2.2

Mounting without a Unitrax Load Bar:

The kit includes a set of four Unitrax spacer brackets should the model of vehicle not have a Unitrax mounting rail. An **important note** for using the Unitrax spacer brackets is the inclusion of shorter bolts.



Installation Instructions

In some applications the customer may choose to rubber line the load bin, the rubber lining needs to be removed before brackets can be fastened to the load bin.



With the threaded holes exposed the Unitrax spacer brackets can be mounted to the load bin.

With the unitrax spacer brackets installed the mounting brackets can be installed normally.

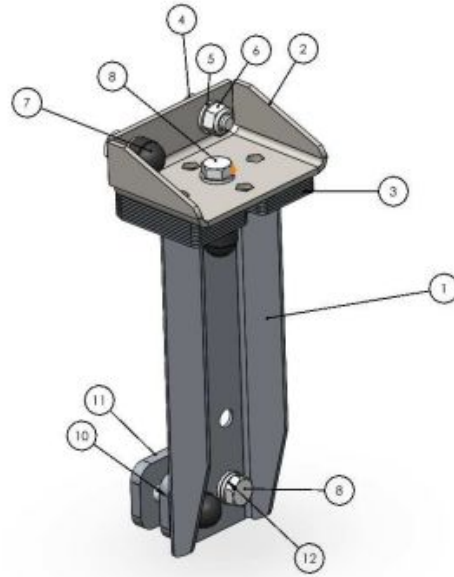
Installation Instructions

2.3

Fastening Mounting Brackets Down.:

Use the corresponding hardware indicated above to correctly fit the channel bracket to the load bin.

Note: All bolts are to be initially hand tight because there might be a need to adjust the brackets after the canopy is loaded on to the bin.



Installation Instructions

Positions of the bracket kits in the load bin:

Figures 7 and 8 shows where the mounting brackets are fixed to the load bin

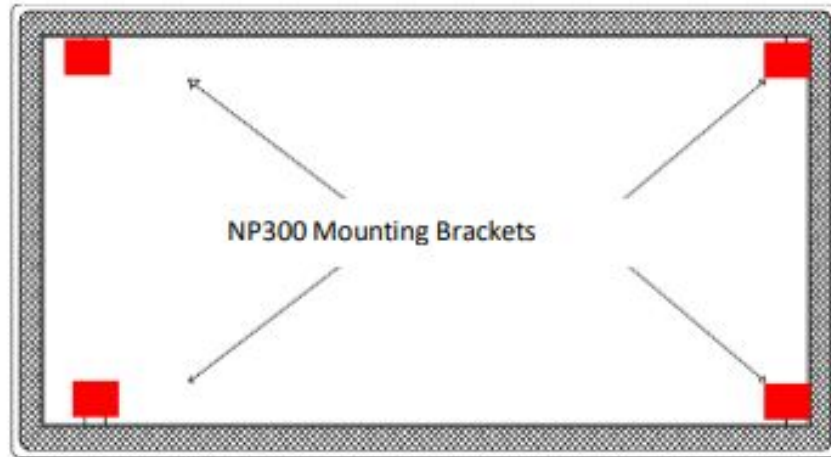


Fig 7: Top View of Load bin

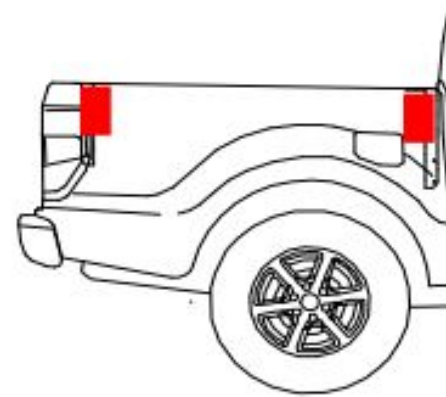


Fig 8: Side View of Load bin

Installation Instructions

3

Canopy Installation:

Before placing the canopy onto the load bin, check that the D-Rubber is intact on the canopy. If this is not done, the canopy and/or load bin could be damaged or can cause leaks into the canopy.

3.1

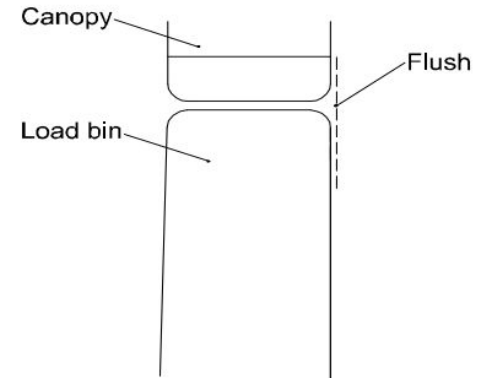
Canopy Fitment to Load bin:

To position the canopy, ensure that it is flush with the load bin on the inside.

Keep all the doors of the canopy open besides the rear door when placing it onto the load bin. Check alignment before bolting down.

With the canopy in the correct position fasten all the bolts on the mounting brackets down fully.

The last step is to seal the front seal bracket with Sikaflex or Silicone. The corners need to be properly filled to ensure there is no point of water ingress.



4

Congratulations, the canopy has been successfully installed

Disclaimer

All rights reserved. No part of this website may be reproduced, translated, stored in a retrieval system, or transmitted, in any form or by any means, electronic, mechanical, photocopying, recording or otherwise, without prior written permission of the owner.

Review all instructions information carefully before installation.

Any damages, direct or incidental to the installer and/or property due to incorrect installation of any parts are the responsibility of the installer. Due to the various applications and fitment options available, the responsibility lies with the user to ensure all mounting points are secure and tight before every trip.

If unsure, consult with your Distributor regarding the operations of our products.

Users are advised to be mindful of the load they are carrying and drive in accordance with road conditions.

WARNING

Always wear appropriate PPE (Personal protection equipment) when fitting our products. Although the mounting kit is designed to be DIY, if you have any doubts or concerns, contact an accredited fitment centre to carry out the work. Alu-Cab will not be liable for any injury to persons, and/or damage to products and/or vehicles.

While Alu-Cab Holdings takes reasonable measures to ensure that the contents of this Website are accurate and complete, Alu-Cab Holdings makes no representations or warranties, whether express or implied, as to the quality, timeliness, operation, integrity, availability or functionality of this Website or as to the accuracy, completeness or reliability of any information on this Website. Alu-Cab Holdings reserves the right to make changes, corrections and/or improvements to the information and to the products and programs described in such information, at any time without notice.

Alu-Cab Holdings will use reasonable endeavours to maintain the availability of the Website, except during scheduled maintenance periods, and reserves the right to discontinue providing the Website or the service or any part thereof with or without notice to you. Any person who accesses this Website or relies on this Website or on the information contained in this Website does so at his or her own risk.

Occasionally, at our discretion, we may include or offer third-party products or services on our website. These third-party sites have separate and independent privacy policies. We therefore have no responsibility or liability for the content and activities of these linked sites. Nonetheless, we seek to protect the integrity of our site and welcome any feedback about these sites.